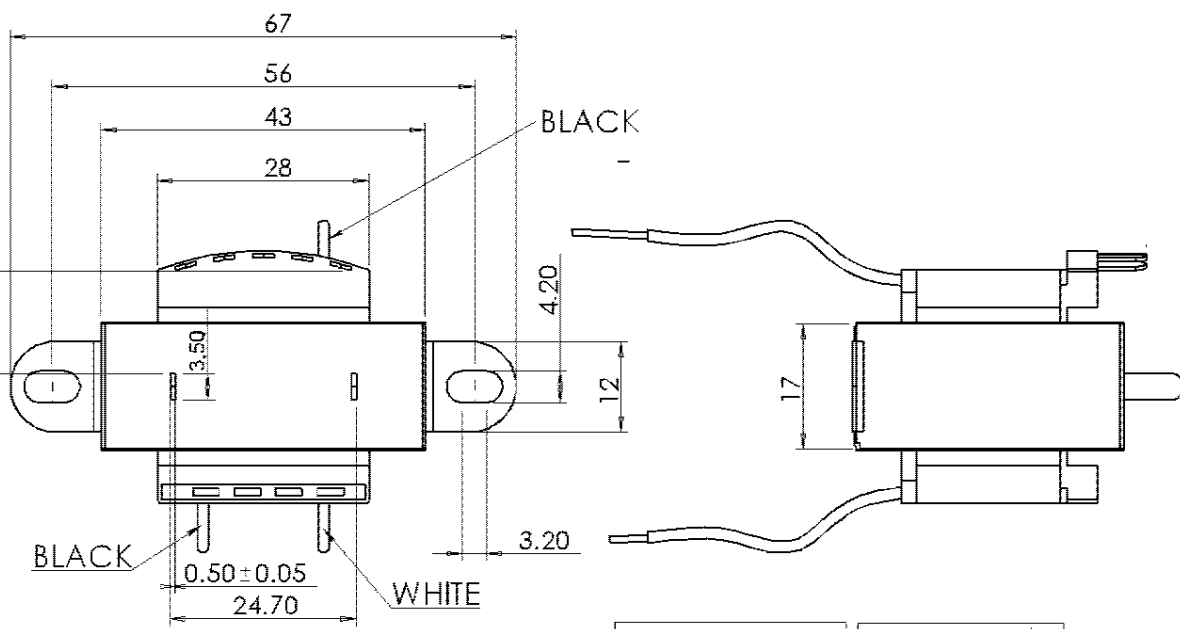


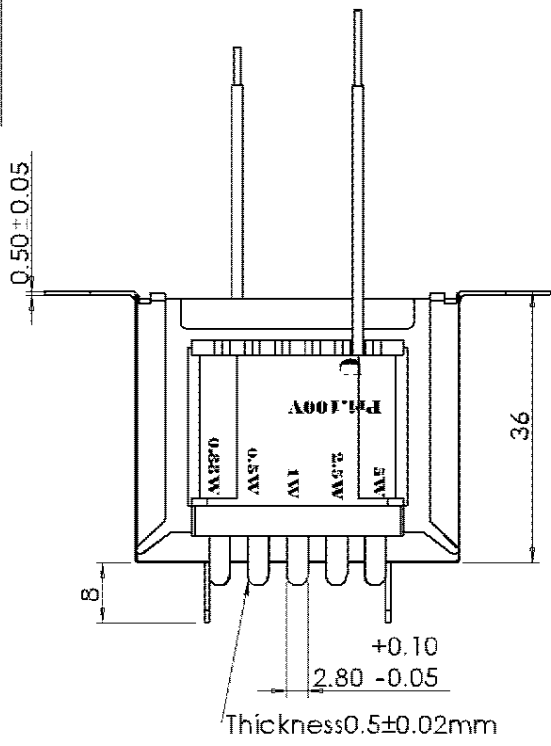
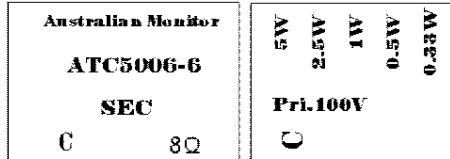
Ver.	Modification.	Record

Standard Sizes Do the Same Here 12.5±0.5



1. EI=41X15
2. Material: Z=11
3. Iron With
4. Primary (Outlet 5 Pin And Black Wire)

PIN	1	2	3	4	5
100V	5W	2.5W	1W	0.5W	0.33W
COM	Black Teflon Wire				
5. Secondary (Outlet Teflon Wire) 8Ω 0Ω ,
90MM, Stripped 5MM Coating Tin (22AWG)
6. Choose A Teflon Wire (22AWG), The Effective Length 70MM, Hot Dip Coating Tin 7MM.
7. Wattage Printed On Brown Paper On The Side Of The Paste Material Number.
8. Impedance ±5% ,
9. Transformer Tests, Positive And Negative Polarity To Be Correct.
10. RoHS-compliant Materials Required.



100V	PIN	PRIMARY	SECONDARY
5W	1	2KΩ	8Ω WHITE WIRE TEFLON
2.5W	2	4KΩ	
1W	3	10KΩ	0Ω BLACK WIRE TEFLON
0.5W	4	20KΩ	
0.33W	5	30KΩ	
BLACK WIRE TEFLON	COM		

Tolerance		Draw	Trace W.	11.12.19
Range	A B	Design	George Z	11.12.19
1-15	± 0.05 0.2	Check	George Z	11.12.19
15-50	± 0.1 0.5	Apprvd	David L.	11.12.19
50-250	± 0.2 1	Model		
250-500	± 0.3 2	File Name	ATC5006-6	
500-750	± 0.4 3	Unit	MM	Scale 1 : 1

Australian Monitor		Name	TRANSFORMER
Material	Copper/Steel	REV.	