

Operating Instructions

IC30
Mixer Amplifier





Audio Telex Communications Pty Ltd
 ACN 001345482 Incorporated in NSW

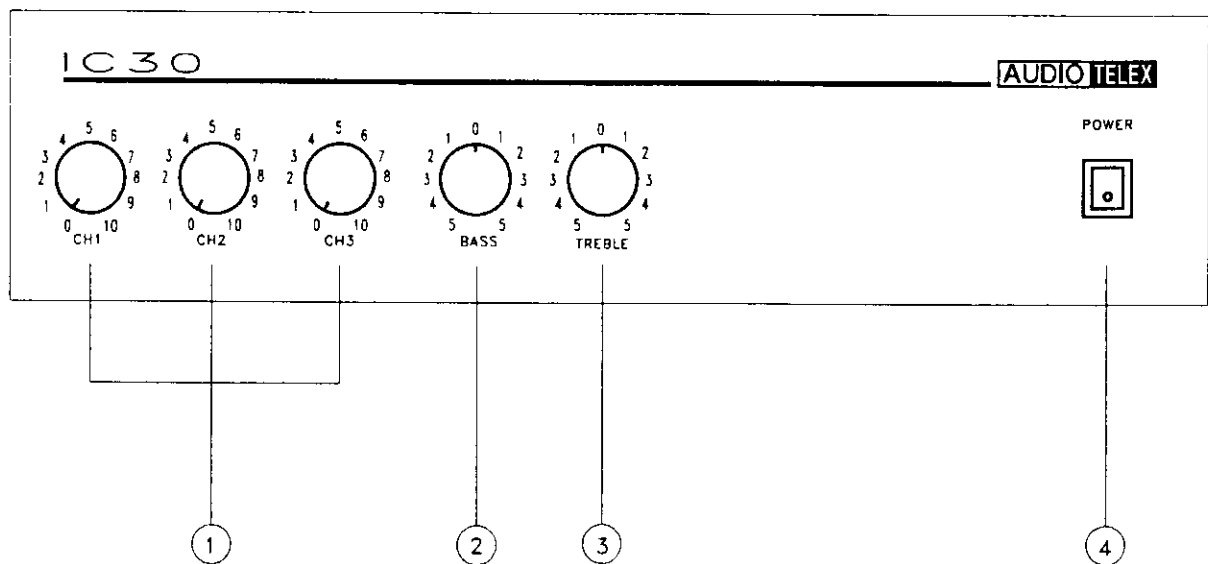
NSW & ACT	QLD & NT	VIC
149 Beaconsfield Street Private Bag 149 Silverwater NSW 2128 Australia Ph 02 9647 1411 Fax 02 9648 3698	42 Commercial Road PO Box 871 Fortitude Valley QLD 4006 Ph 07 3852 1312 Fax 07 3252 1237	22/277 Middleborough Road Box Hill VIC 3128 PO Box 151 Blackburn South VIC 3130 Ph 03 9890 7477 Fax 03 9890 7977
WA	SA	TAS
299 Fitzgerald Street West Perth WA 6005 PO Box 404 North Perth WA 6906 Ph 08 9228 4222 Fax 08 9228 4233	Electronic Concepts Pty Ltd 76 George Street Thebarton SA 5031 PO Box 7034 Hutt Street Adelaide SA 5000 Ph 08 8234 9444 Fax 08 8234 9441	K W McCulloch Pty Ltd 54a Albert Road Moonah TAS 7009 Ph 03 6228 6373 Fax 03 6278 1063
New Zealand		
Unit B, 11 Piermark Drive PO Box 512 Albany NZ 1331 Ph 09 415 9426 Fax 09 415 9864		

IC30 Mixer Amplifier

Product Description

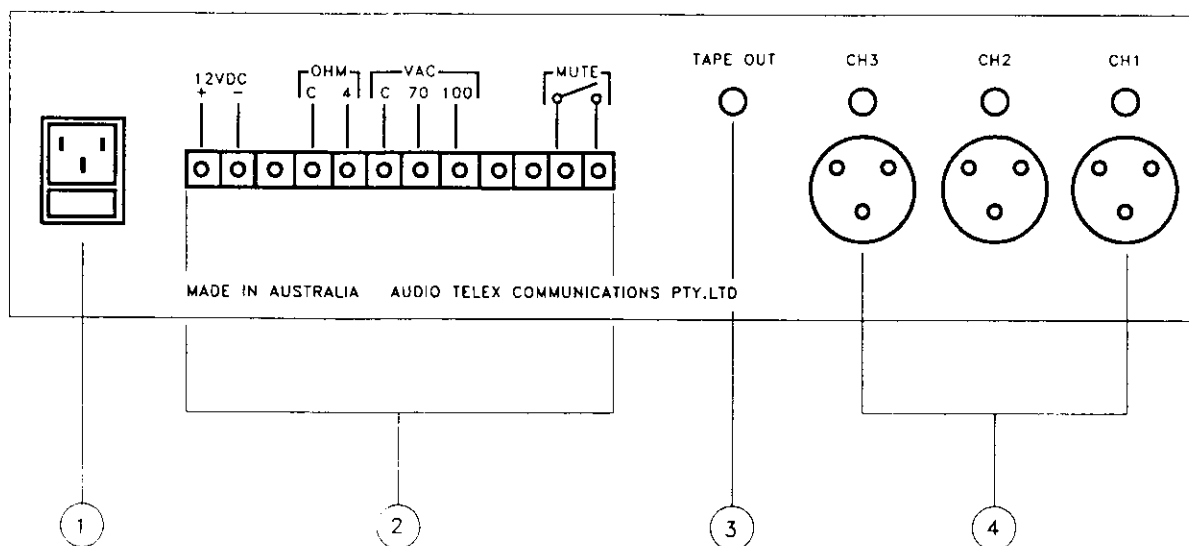
The IC30 is a 30 watt mixer amplifier which operates on 240 VAC, 50 Hz (or 110 VAC with factory modification) or 12 VDC via an external DC power supply source. The amplifier comes standard as desk mounted with rubber feet but can be rack mounted via an optional rack mount kit (IC30RMK). The IC30 will deliver 30 watts into a load of 4 ohms, 70 or 100 volt line. The IC30 may be stacked to a maximum of four units high. An IEC type mains cord and receptacle is provided, the receptacle also houses the mains fuse in a drawer which pulls open to expose the fuse. A single spare fuse is also located in this drawer.

Front Panel Controls



- Dual Microphone/Line Gain Control:** The dual mic/line input controls are labelled Ch 1 through to Ch 3 and should be adjusted to provide the required mix level for each individual channel. Start with the controls set to level 0 and turn the controls clockwise until the desired mix level for each channel is reached.
- Bass Tonal Control:** Setting this control in the centre position will give an overall flat bass response to the output of the amplifier. Adjusting the bass control in a clockwise direction will provide up to 10 dB of bass boost @ 100 Hz. Adjusting the bass control in a counter-clockwise direction will provide up to -10 dB of bass cut @ 100 Hz.
- Treble Tonal Control:** Setting this control in the centre position will give an overall flat treble response to the output of the amplifier. Adjusting the treble control in a clockwise direction will provide up to 9 dB of treble boost @ 10kHz. Adjusting the treble control in a counter-clockwise direction will provide up to -9 dB of treble cut @ 10 kHz.
- Power Button:** This switch controls the switching of AC power to the amplifier. Rocking this switch upwards turns on AC power to the amplifier while rocking the switch downwards turns power off to the amplifier. When in the upward position, the red neon in the body of the switch will glow.

Rear Panel Connections



1. **3 Pin IEC Mains Power Inlet:** The operating voltage is 240 VAC @ 50 Hz or 110 VAC @ 60 Hz. The AC power voltage level is not externally user adjustable but is factory pre-set at 240VAC. The inlet is equipped with an inbuilt AC fuse holder fitted with a 1 amp fuse plus a spare, found within the holder. Power consumption is 50VA.

⚠ Please ensure that the mains power cord is disconnected before attempting to check or replace this fuse.

2. **Direct Output Terminal Strip:** These screw terminals allow access to the direct outputs of the amplifier. Spare screw terminals allow for the connection of various tone module accessories. Reading from left to right the terminals are-

- 12 Volts DC Positive (+) Power Connection
- 12 Volts DC Negative (-) Power Connection
- Spare
- Low Impedance Common
- 4 Ohms
- Constant Voltage Common
- 70 Volts
- 100 Volts
- Spare
- Spare
- Remote Muting On/Off Connection *
- Remote Muting On/Off Connection *

*Channels 2 and 3 are muted when these two terminals are shorted together only when the TX3010 mute module is fitted.

Note: The minimum impedance at any time on maximum load for 100 Volt line should be no less than 330 Ohms for the IC30.

3. **Tape Output:** RCA style phono output connector for line level output. Provides a maximum of 350mV into 10K Ohms, ideal for a connection to most standard tape recorders. This output is sourced before the master gain control and as such, the tape output level is not influenced by the operation of the master gain control.

4. **Universal Microphone/Line Inputs:** With an input sensitivity of 1.5mV @ 200 ohms, pin connections for XLR balanced microphone input connectors are: pin #1-earth; pin #2-active (high, +); pin #3-active (low, -). The RCA socket line level input connectors have an input sensitivity of 80mV @ 47K ohms. Reading from left to right across the rear panel, the connection are for the inputs 3, 2, & 1 respectively. All three inputs can be used for microphone and auxiliary input sources. It is also possible to connect both microphone and auxiliary inputs to one channel simultaneously, however their relative levels to one another will be fixed, as there is one gain control for each channel on the front panel.

Optional Accessories

⚠ The installation of some of the following optional accessories involves access to the inside of the amplifier. Installation should only be attempted by a qualified technician. Always turn off the AC power and remove the AC power cord before attempting to access the inside of the amplifier. Please contact your nearest Audio Telex office for details of your nearest qualified technician.

Tone Generators: Four separate tones are available as an option via the ATC5488 tone generator board. This internally mounted PCB is easily fitted and plugs directly into a socket provided on the internal circuit board PCB6189. Please follow the instructions supplied with the tone generator. When any tone from the ATC5488 is activated all inputs will automatically mute except for input one.

Tones available on the ATC5488 tone generator board are:

Evacuation Tone (to Australian Standard AS2220.1.2)

Alert Tone (to Australian Standard AS2220.1.2)

Bell Tone

Pre Announce Chime

TX3010 Vox Muting Module: When installed (as per the comprehensive instructions supplied with the TX3010), channel 1 of the amplifier will mute channels 2 & 3 of the amplifier.

IC30RMK: 19" rack mount kit

Fuse Sizes

Mains 240 VAC: 1 Ampere Slow Blow

Notes

The DC fuse is located on the circuit board. This is a feature of the IC series amplifiers, which is equipped with a current limiting circuit preventing excessive DC currents, thus eliminating the risk of blowing high tension fuses. In the unlikely event that the DC fuse actuates, the output IC's should be checked, as it is probable that the amplifier has been subjected to very extreme conditions.