

# AMVOCAL

## Dynamic Handheld Microphone

The AMVOCAL dynamic supercardioid microphone features a neodymium magnet with aluminium voice coils ensuring super fast transient response. The microphone also features an isolation transformer which ensures RF and electrical noise isolation. The incorporated capsule isolation system keeps handling noise to a bare minimum.

This cost-effective microphone is highly recommended for presentations in schools halls, House of worship, drive hire, rehearsal rooms and many other voice reproduction requirements.

### Features

- Supercardioid polar pattern
- High SPL operation
- Low handling noise
- Transformer Isolated
- On – Off switch
- Rugged design

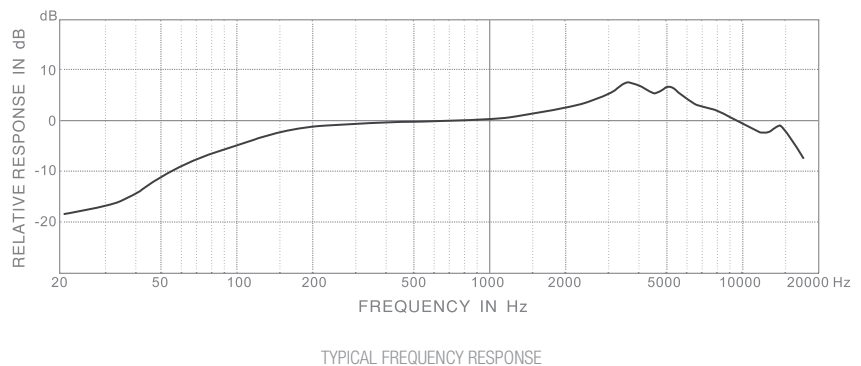
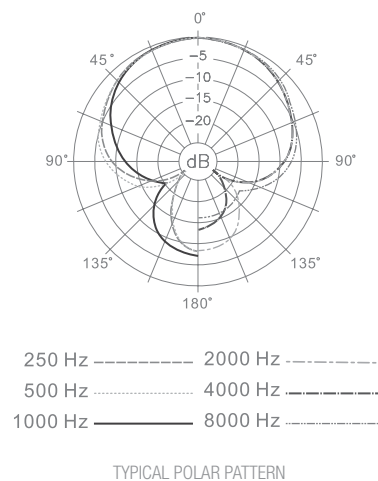
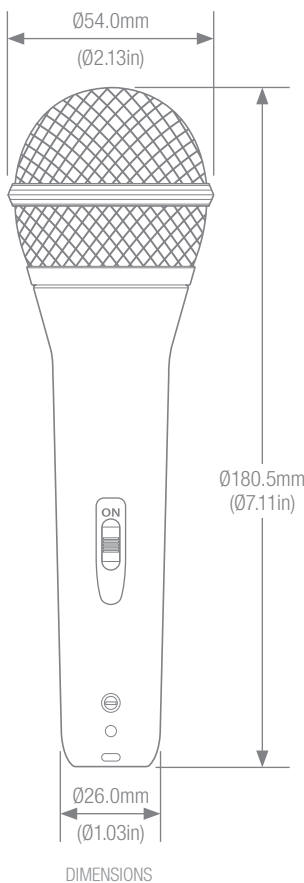


### Included Accessories

- Microphone Clip
- 5/8 – 3/8 thread adaptor
- Microphone Pouch

# Specifications

Transducer Type	Dynamic – Neodymium, aluminium voice coil with dual diaphragm
Polar Pattern	Supercardioid
Frequency Response	50Hz – 16Khz
Sensitivity	2 mV/Pa -54 dBV
Electrical Impedance	200 $\Omega$
Min. Load Impedance	300 $\Omega$
Max. SPL	136dB @ 1% THD
Finish	Matte Black
Switch	Slide ON – OFF switch
Connection	Balanced 3 pin XLR Male Pin 2 +, Pin 3 -, Pin 1 shield
Dimensions	$\varnothing$ 53mm x L 180mm
Net Weight	363g
Included Accessories	Microphone clip, 5/8 – 3/8 thread adaptor, microphone pouch



ENGINEERED BY AUSTRALIAN MONITOR  
 Address: 1 Clyde Street, Silverwater NSW 2128 Australia.  
 Website: [www.australianmonitor.com.au](http://www.australianmonitor.com.au)  
 International enquiries email:  
[customersupport@australianmonitor.com.au](mailto:customersupport@australianmonitor.com.au)  
 ABN 35 007 573 417

