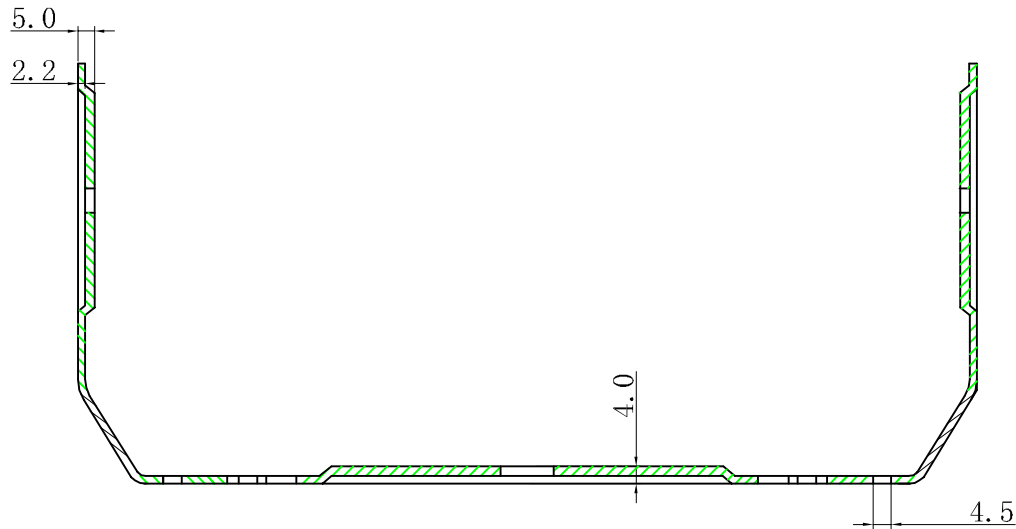
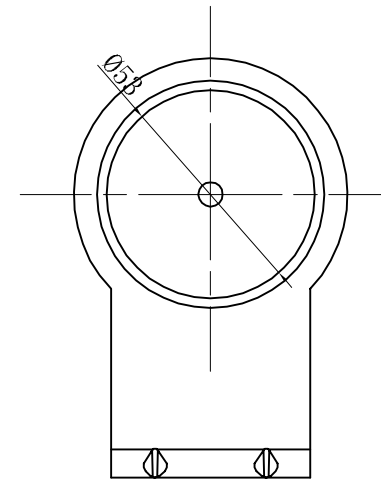


SECTION B-B



SECTION A-A



Australian Monitor		
Scale	Material	
		2003. 07. 16
Street		Nrw No
Size		Part Name
Unit		Part NO
Weight		
Treatment		
Tolerance		
Apvd		
Dsgn		
Draw		

1/1	A4	mm		
~4 ±0.1				
4~16 ±0.2				
16~63 ±0.3				
63~250 ±0.5				
250~ ±0.8				