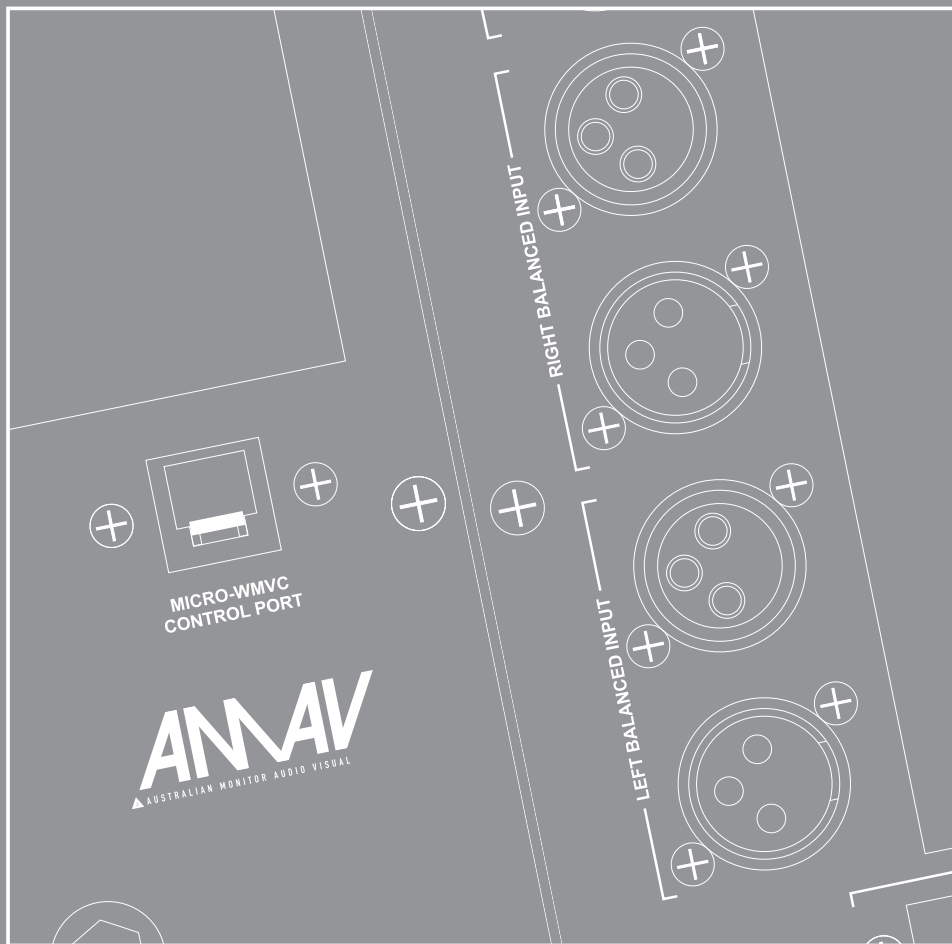




MICRO20/MACR080P

ACTIVE TWO WAY STEREO SPEAKER SYSTEM
INSTALLATION AND OPERATION MANUAL





IMPORTANT SAFETY INFORMATION



1. Save the carton and packing material even if the equipment has arrived in good condition. Should you ever need to ship the unit, use only the original factory packing.
2. Read all documentation before operating your equipment. Retain all documentation for future reference.
3. Follow all instructions printed on unit chassis for proper operation.
4. Do not spill water or other liquids into or on the unit, or operate the unit while standing in liquid.
5. Make sure power outlets conform to the power requirements listed on the back of the unit.
6. Do not use the unit if the electrical power cord is frayed or broken. The power supply cords should be routed so that they are not likely to be walked on or pinched by items placed upon or against them, paying particular attention to cords and plugs, convenience receptacles, and the point where they exit from the appliance.
7. Always operate the unit with the AC ground wire connected to the electrical system ground. Precautions should be taken so that the means of grounding of a piece of equipment is not defeated.
8. Mains voltage must be correct and the same as that printed on the rear of the unit. Damage caused by connection to improper AC voltage is not covered by any warranty.
9. Have gain controls on amplifiers turned down during power-up to prevent speaker damage if there are high signal levels at the inputs.
10. Power down & disconnect units from mains voltage before making connections.
11. Never hold a power switch in the "ON" position if it won't stay there itself!
12. Do not use the unit near stoves, heat registers, radiators, or other heat producing devices.
13. Do not block fan intake or exhaust ports. Do not operate equipment on a surface or in an environment which may impede the normal flow of air around the unit, such as a bed, rug, weathersheet, carpet, or completely enclosed rack. If the unit is used in an extremely dusty or smoky environment, the unit should be periodically "blown free" of foreign matter.
14. Do not remove the cover. Removing the cover will expose you to potentially dangerous voltages. There are no user serviceable parts inside.
15. Do not drive the inputs with a signal level greater than that required to drive equipment to full output.
16. Do not connect the inputs / outputs of amplifiers or consoles to any other voltage source, such as a battery, mains source, or power supply, regardless of whether the amplifier or console is turned on or off.
17. Do not run the output of any amplifier channel back into another channel's input. Do not parallel- or series-connect an amplifier output with any other amplifier output. Australian Monitor Inc is not responsible for damage to loudspeakers for any reason.
18. Do not ground any red ("hot") terminal. Never connect a "hot" (red) output to ground or to another "hot" (red) output!
19. Non-use periods. The power cord of equipment should be unplugged from the outlet when left unused for a long period of time.
20. Equipment should be serviced by qualified service personnel when:
 - A. The power supply cord or the plug has been damaged.
 - B. Objects have fallen, or liquid has been spilled into the equipment
 - C. The equipment has been exposed to rain
 - D. The equipment does not appear to operate normally, or exhibits a marked change in performance
 - E. The equipment has been dropped, or the enclosure damaged.

INTRODUCTION AND CONTENTS

The AMAV Micro20 speakers & Macro80P powered sub woofer continue to form a compact, yet extremely high quality sub/sat speaker system. The Micro20 speakers are a sleek design in die cast aluminium featuring a 3" woofer & 1/2" tweeter supplied as a pair, with brackets. The Micro20 speakers are rated at 30 watts RMS & their small size belies their impressive audio performance.

The Macro80P sub woofer is the perfect partner for the Micro20P speakers. Featuring dual 6.5" woofers, an onboard 80 watt D class amplifier for sub frequencies as well as 4 x 20 watt amplifiers to power Micro20's, the Macro80P represents excellent audio reproduction as well as great value for money.

A remote volume, treble & bass control wall plate is also available for the Macro80P to allow for system control in a permanent installation.

Congratulations on your purchase of the Micro20/Macro80p system.

INTRODUCTION	3
REAR PANEL	4
MOUNTING DETAIL	5
SPECIFICATIONS	6

AUS, EUR, USA
REV A: Oct 2007

	CAUTION RISK OF ELECTRIC SHOCK DO NOT OPEN	
CAUTION: TO REDUCE THE RISK OF ELECTRIC SHOCK, DO NOT REMOVE COVER (OR BACK), NO USER SERVICEABLE PARTS INSIDE, REFER SERVICING TO QUALIFIED SERVICE PERSONAL.		



This symbol is intended to alert the user to the presence of uninsulated "dangerous voltage" within the products enclosure that may be of sufficient magnitude to constitute a risk of electric shock to persons.



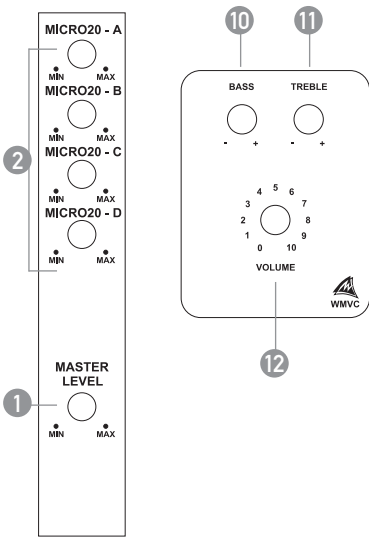
This symbol is intended to alert the user to the presence of important operational and maintenance (servicing) instructions in the literature accompanying the appliance.

Caution: To prevent electric shock do not use this (polarised) plug with an extension cord, receptacle or other outlet unless the blades can be fully inserted to prevent blade exposure. To prevent electric shock, match wide blade of plug to wide slot, fully insert.

WARNING!

TO REDUCE THE RISK OF FIRE OR ELECTRIC SHOCK
DO NOT EXPOSE THIS EQUIPMENT TO RAIN OR MOISTURE.

REAR PANEL



1 MASTER LEVEL CONTROL

This control will set the output volume for all speakers, including the level of the sub and the level of all satellite speakers.

2 SATELLITE LEVEL CONTROL

This control will set the output volume for the satellite speakers. There is a separate level adjustment for each satellite output (A, B, C and D) allowing individual level adjustment for each speaker, within the overall volume level set by the Master level control.

3 INPUT

The MACRO80P can accept both balanced and unbalanced stereo line level inputs.

NOTE: The sub is fed with a mono summed signal from both the left and right inputs. The left signal feeds the A and C satellite speaker outputs, whilst the right signal feeds the B and D satellite speaker outputs.

4 STEREO/MONO SWITCH

This switch can be used to defeat the stereo capabilities of the speaker system. When set to "STEREO", the left signal will feed the Sub A and C speakers whilst the right signal will feed the Sub B and D speakers. When set to "MONO", both the left and right signals are mono summed internally, allowing signal on either the left or right inputs to feed all speakers.

5 SPEAKER OUTPUTS

These outputs are used to connect the MICRO20 satellite speakers. This signal is electronically high pass filtered at 80Hz. There are four satellite speaker outputs.

6 POWER SWITCH

This switches the mains power "on" for the internal amplifier

7 POWER INDICATOR

This LED illuminates to indicate that power is available and the Macro80P is powered on

8 POWER INLET

Standard IEC 230V/10A mains connection. The Macro80P draws a maximum current of 1.2 amps. Only a 250V/2A slow blow fuse should be used.

9 WMVC CONTROL PORT

Standard RJ45 connector for the WMVC remote wall mount volume controller. Connection between the MACRO80P and WMVC is via a standard RJ45 CAT5 cable (straight through, pin to pin).

10 BASS CONTROL

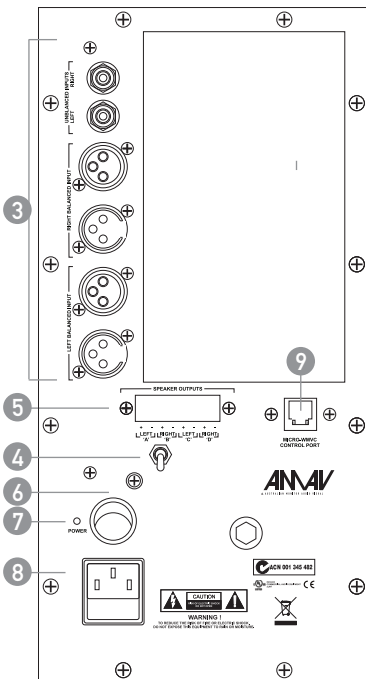
This is a shelf EQ that will cut or boost the bass frequencies by up to +/-10dB. This low shelf set to 100Hz.

11 TREBLE CONTROL

This is a shelf EQ that will cut or boost the treble frequencies by up to +/-10dB. This high shelf set to 10kHz.

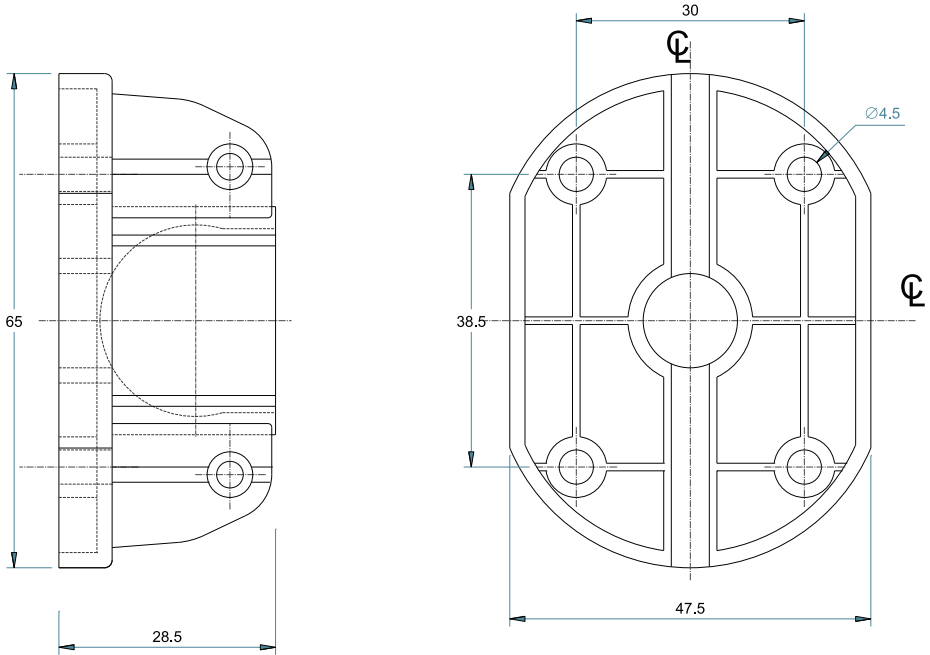
12 VOLUME CONTROL

This control will set the output volume for the speaker system, affecting both sub and satellite speaker level. This level control is effected by the SATELLITE LEVEL CONTROL (2) and MASTER LEVEL CONTROL (1) on the MACRO80P.

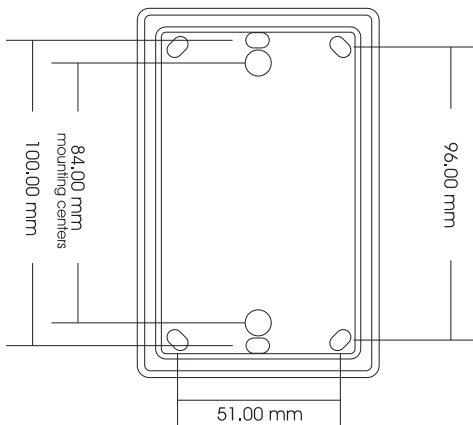


MOUNTING DETAIL

MICRO20 BRACKET MOUNTING DETAIL



WMVC MOUNTING DETAIL



SPECIFICATIONS

MICRO20

WOOFER	Diameter	75mm
TWEETER	Diameter	25mm
IMPEDANCE		8 ohm
POWER	RMS Program Peak	30W 60W 120W
SENSITIVITY	(1W/1m)	84dB
FREQUENCY RESPONSE	(+/-3dB)	140Hz-30kHz
DISPERSION (H X V)		120° x 90°
DIMENSIONS (H X W X D)		150mm x 90mm x 110mm
SHIPPING DIMENSIONS (PAIR) (H X W X D)		190mm x 360mm x 137mm
SHIPPING WEIGHT (PAIR)		4.7kg

MACRO80P

WOOFER	Diameter	160mm
POWER	RMS	40W
	Program	80W
	Peak	160W
SENSITIVITY	(1W/1m)	90dB
FREQUENCY RESPONSE	(± 3 dB)	39Hz-190Hz
SUB POWER OUTPUT	4 ohms, 1% THD, RMS	70W
SATELLITE POWER OUTPUT	8 ohms, 1% THD, RMS	15W
	4 ohms, 1% THD, RMS	25W
	2 ohms, 1% THD, RMS	Not Recommended
SUB BANDPASS		40Hz-175Hz
SATELLITE BANDPASS		80Hz-30kHz
INPUT SENSITIVITY		85mV
CURRENT DRAW		1.2A max
FUSE RATING		250V, 2A, SB
DIMENSIONS (H X W X D)		405mm x 270mm x 345mm
SHIPPING DIMENSIONS (H X W X D)		500mm x 410mm x 360mm
SHIPPING WEIGHT		15.7kg

WMVC

EQ CONTROLS	Bass	100Hz ± 10 dB
	Treble	10kHz, ± 10 dB
MAX CABLING DISTANCE		50m
DIMENSIONS (H X W X D)		115mm x 75mm x 44mm
SHIPPING DIMENSIONS (H X W X D)		80mm x 130mm x 85mm
SHIPPING WEIGHT		0.2kg

AUSTRALIA AND NEW ZEALAND

www.australianmonitor.com.au

SYDNEY

(NSW & ACT SALES)

1 Clyde Street
Silverwater
NSW 2128
Private Bag 149
Silverwater NSW 1811
Phone: (02) 9647 1411
Fax: (02) 9648 3698
Email:
nsw@audiotelex.com.au

MELBOURNE

(VIC & TAS SALES)

22/277
Middleborough Road
Box Hill VIC 3128
PO Box 151 Blackburn
South VIC 3130
Phone: (03) 9890 7477
Fax: (03) 9890 7977
Email:
vic@audiotelex.com.au

BRISBANE

(QLD SALES)

42 Commercial Road
Fortitude Valley
QLD 4006
PO Box 871 Fortitude
Valley QLD 4006
Phone: (07) 3852 1312
Fax: (07) 3252 1237
Email:
qld@audiotelex.com.au

ADELAIDE

(SA & NT SALES)

31 Walsh Street
Thebarton
SA 5031
PO Box 157
Hindmarsh SA 5007
Phone: (08) 8352 4444
Fax: (08) 8352 4488
Email:
sa@audiotelex.com.au

PERTH

(WA SALES)

3/11 Howe Street
Osborne Park WA 6017
PO Box 1281
Osborne Park
BC WA 6916
Phone: (08) 9204 0200
Fax: (08) 9244 3738
Email:
wa@audiotelex.com.au

AUCKLAND

(NZ SALES)

9C Piermark Drive
Albany 0752
New Zealand
PO Box 300-512
Albany 0752
Phone: (09) 415 9426
Fax: (09) 415 9864
Email:
sales@audiotelex.co.nz

EUROPE / ASIA / MIDDLE EAST

www.australianmonitor.com.au

INTERNATIONAL SALES

1 Clyde Street Silverwater NSW 2128 Australia
Private Bag 149 Silverwater NSW 1811
Phone: (02) 9647 1411
Fax: (02) 9648 3698
Email: international@audiotelex.com.au