



INSTALLATION AND OPERATION MANUAL

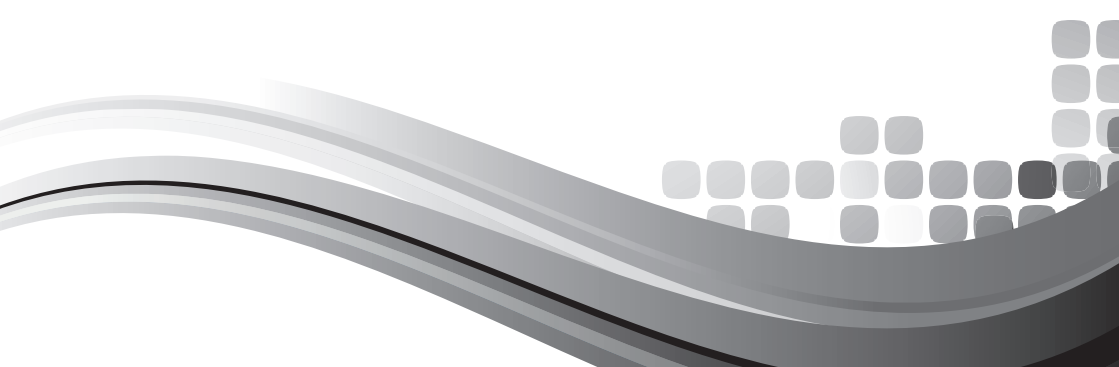
TXG SERIES

WALL MOUNT SPEAKERS

TXG10

TXG30

TXG50



IMPORTANT SAFETY INFORMATION

1. Read these instructions.
2. Keep these instructions.
3. Heed all warnings.
4. Follow all instructions.
5. Do not use this apparatus near water.
6. Clean only with dry cloth.
7. Do not block any ventilation openings. Install in accordance with the manufacturer's instructions.
8. Do not install near any heat sources such as radiators, heat registers, stoves, or other apparatus (including amplifiers) that produce heat.
9. Only use attachments/accessories specified by the manufacturer.
10. Use only with the cart, stand, tripod, bracket, or table specified by the manufacturer, or sold with the apparatus. When a cart is used, use caution when moving the cart/apparatus combination to avoid injury from tip-over.
11. Refer all servicing to qualified service personnel. Servicing is required when the apparatus has been damaged in any way, such as power-supply cord or plug is damaged, liquid has been spilled or objects have fallen into the apparatus, the apparatus has been exposed to rain or moisture, does not operate normally, or has been dropped.
12. This appliance shall not be exposed to dripping or splashing water and that no object filled with liquid such as vases shall be placed on the apparatus.
13. **WARNING:** To reduce the risk of fire or electric shock, do not expose this apparatus to rain or moisture.

PRÉCAUTIONS DURANT UTILISATION

1. Lisez ces instructions.
2. Tenez ces instructions.
3. Notez tous les avertissements.
4. Suivez toutes les avertissements.
5. N'utilisez pas ce produit près de l'eau (la piscine, la plage, le lac, etc.).
6. Nettoyez seulement avec une étoffe sèche.
7. Ne bloquez aucuns trous de ventilation. Installez en accord avec les instructions du manufacturier.
8. N'installez près aucunes sources de chaleur comme radiateurs, registres de chaleur, fours ou les autres équipements (y compris amplificateurs) qui produisent la chaleur.
9. Seulement utilisez attachements/accessoires spécifiés par le manufacturier.
10. Utilisez seulement avec un chariot, un stand, un trépied, un support ou une table indiquée par le manufacturier, ou vendue avec l'appareil. Quand un chariot est utilisé, faites attention en déplaçant la combinaison d'appareil/chariot pour éviter de se déséquilibrer.
11. Référez au personnel qualifié de service pour toutes réparations. La réparation est donnée quand le système a été endommagé à n'importe façon, par exemple un fil ou une fiche endommagé(e) de la source d'alimentation. Avoir été exposé à pluie ou humidité, n'opère pas normalement, ou avoir été tombé.
12. L'appareil ne doit pas être exposé aux écoulements ou aux éclaboussures et aucun objet ne contenant de liquide, tel qu'un vase, ne doit être placé sur l'objet.
13. **AVERTISSEMENT:** Pour éviter le risque d'incendie ou de chocs électriques, ne pas exposer cet appareil à la pluie ou à l'humidité.



TXG SERIES

The TXG series of wall mount speakers provide high quality audio reproduction and outstanding sonic performance combined with a contemporary and stylish design.

The TXG series are perfect for speech or background music applications.

Available in 10, 30 and 50 Watt variants, the TXG range is available in black or white and are supplied with wall mount brackets.

The TXG series from Australian Monitor offer exceptional versatility, performance and value for money.

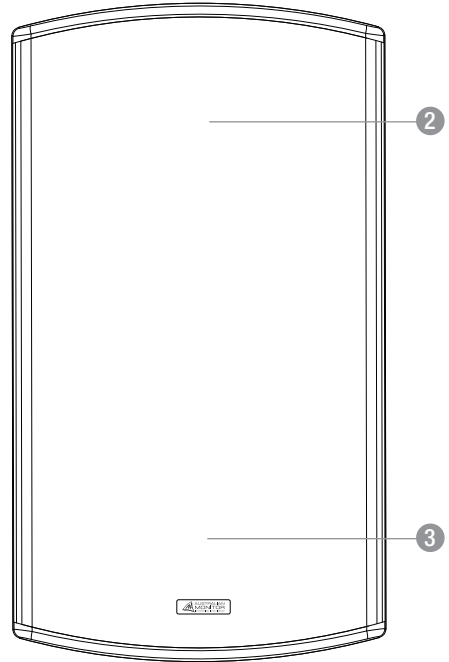
INTRODUCTION	3
FRONT PANEL	4
REAR PANEL	5
MOUNTING	6
SPECIFICATIONS	7

Revision 1.1 September 2012

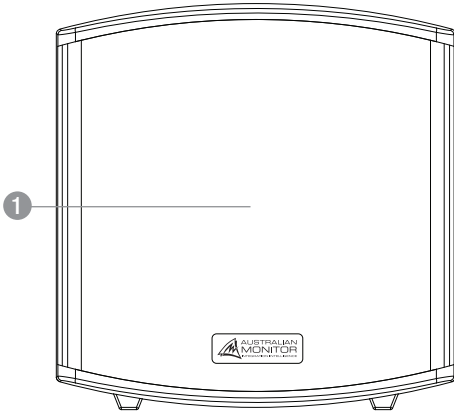


FRONT PANEL

TXG50 shown here



TXG10 shown here



1 Full-range driver

TXG10 1 x 2.5" Full range

2 High Frequency Driver

TXG30 1 x 1" Tweeter

TXG50 1 x 1" Tweeter

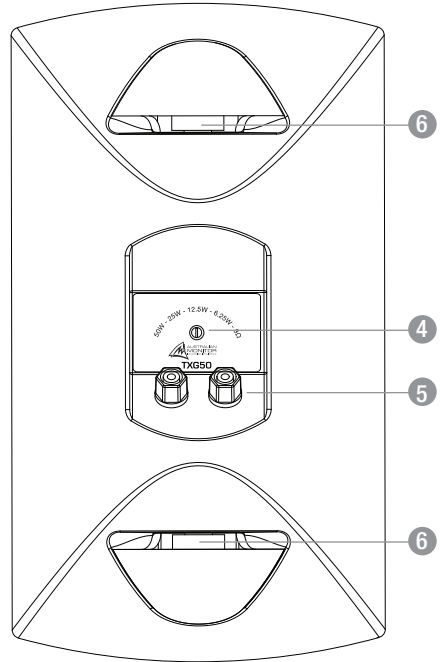
3 Low Frequency Driver

TXG30 1 x 4" Woofer

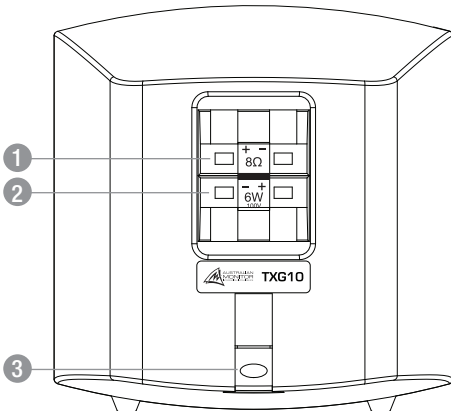
TXG50 1 x 6.5" Woofer



TXG50 shown here



TXG10 shown here



1 Direct 8 Ohm Input

The TXG10 provides direct 8 Ohm connection via this pair of spring loaded push terminals. When using the 8 Ohm direct input terminals, the 6 W terminals should not be used.

2 6W 100V Input

The TXG10 provides a 6 W 100 V input via this pair of spring loaded push terminals. When using the 6 W 100 V input, the 8 Ohm terminals should not be used.

3 Mounting Point

This thread point is used to attach the TXG10 to the wall mounting bracket.

4 Voltage Tap Select Switch

This switch provides screw driver selection of the desired 100 V transformer tap or the 8 Ohm low impedance transformer bypass option.

5 Speaker Input

Speaker input is via a pair of colour coded binding post terminals. The black terminal is negative, the red terminal is positive.

6 Mounting Points

The wall bracket may be fitted to the mounting points concealed by the plastic bungs fitted.

Remove these bungs prior to installing the wall bracket.



MOUNTING



When mounting Voice Line VL8 speakers the following safety issues must be considered;

The mounting of a permanently installed speaker may be dangerous unless undertaken by a qualified professional with relevant experience.

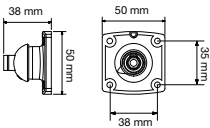
Walls and mounting surfaces must be capable of supporting the speaker and bracketry in a safe and secure manner.

All fixings must be safely attached to the speaker cabinet and the mounting surface. All fixings must be installed in accordance with the manufacturer's instructions and specifications.

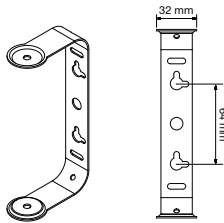
Wall Mount Brackets

The TXG speakers are supplied with wall mount brackets, the TXG10 with a multi angle wall bracket, the TXG30 & TXG50 with U brackets.

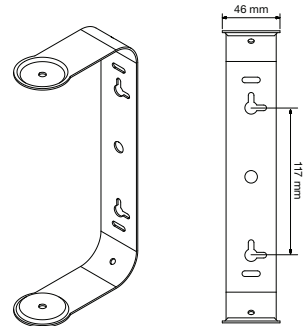
TXG10



TXG30



TXG50





	TXG10	TXG30	TXG50
Impedance (Bypass)	8 Ohm	8 Ohm	8 Ohm
Power (Tappings) (100 V)	6 W	30 W, 15 W, 7.5 W, 2.5 W	50 W, 25 W, 12.5 W, 6.25 W
Sensitivity (1 W / 1 M)	88 dB	89 dB	90 dB
Calculated Max SPL (Continuous, Peak)	96 dB, 102 dB	104 dB, 110 dB	107 dB, 113 dB
Dispersion (-6 dB Points) (H x V)	60° x 70°	50° x 60°	50° x 50°
Frequency Response (-3 dB)	150 Hz – 22 kHz	100 Hz – 20 kHz	50 Hz – 20 kHz
Frequency Response (-10 dB)	100 Hz - 25 kHz	80 Hz - 22 kHz	30 Hz - 22 kHz
Connection	Spring Terminals	Binding Posts	Binding Posts
Components	1 x 2.5" Full-range	1 x 4" Woofer 1 x 1" Tweeter	1 x 6.5" Woofer 1 x 1" Tweeter
Net Dimensions (W x D x H)	88 x 81 x 86 mm (3.5" x 3.2" x 3.4")	135 x 136 x 240 mm (5.3" x 5.4" x 9.4")	210 x 200 x 370 mm (8.3" x 7.9" x 14.6")
Shipping Dimensions (W x D x H)	293 x 111 x 111 mm (11.5" x 4.4" x 4.4")	300 x 156 x 265 mm (11.8" x 6.1" x 10.4")	456 x 238 x 405 mm (18.0" x 9.4" x 15.9")
Net Weight (Each)	0.65 kg (1.4 lbs)	1.96 kg (4.3 lbs)	4.6 kg (10.1 lbs)
Shipping Weight (1 Pair)	1.41 kg (3.1 lbs)	4.15 kg (9.1 lbs)	9.75 kg (21.5 lbs)



ENGINEERED BY AUSTRALIAN MONITOR

Address: 1 Clyde Street, Silverwater, Sydney NSW 2128 Australia. Private Bag 149, Silverwater NSW 1811 ACN 007 573 417
Website: www.australianmonitor.com.au International enquiries email: international@australianmonitor.com.au



DISTRIBUTED IN AUSTRALIA AND NEW ZEALAND BY HILLS SVL www.hillssvl.com.au

NSW	QLD	ACT	WA	VIC	SA	NZ
P: 02 9647 1411	P: 07 3852 1312	P: 02 6260 4544	P: 08 9204 0200	P: 03 9890 7477	P: 08 8408 8300	P: 09 415 9426
E: nsw@hillssvl.com.au	E: qld@hillssvl.com.au	E: act@hillssvl.com.au	E: wa@hillssvl.com.au	E: vic@hillssvl.com.au	E: sa@hillssvl.com.au	E: sales@hillssvl.co.nz