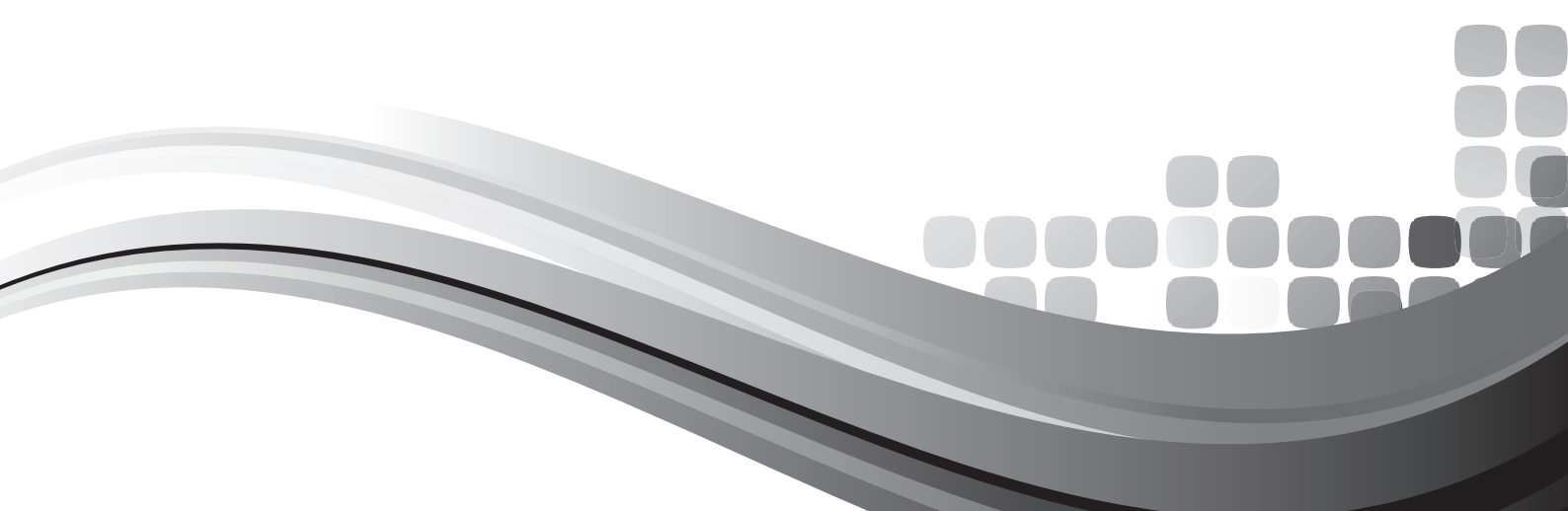




INSTALLATION AND OPERATION MANUAL

XA SERIES

Audio Power Amplifiers XA1000
 XA1400



IMPORTANT SAFETY INFORMATION

1. Read these instructions.
2. Keep these instructions.
3. Heed all warnings.
4. Follow all instructions.
5. Do not use this apparatus near water.
6. Clean only with dry cloth.
7. Do not block any ventilation openings. Install in accordance with the manufacturer's instructions.
8. Do not install near any heat sources such as radiators, heat registers, stoves, or other apparatus (including amplifiers) that produce heat.
9. Do not defeat the safety purpose of the polarized or grounding-type plug. A polarized plug has two blades with one wider than the other. A grounding type plug has two blades and a third grounding prong. The wide blade or the third prong are provided for your safety. If the provided plug does not fit into your outlet, consult an electrician for replacement of the obsolete outlet.
10. Protect the power cord from being walked on or pinched particularly at plugs, convenience receptacles, and the point where they exit from the apparatus.
11. Only use attachments/accessories specified by the manufacturer.
12. Use only with the cart, stand, tripod, bracket, or table specified by the manufacturer, or sold with the apparatus. When a cart is used, use caution when moving the cart/apparatus combination to avoid injury from tip-over.
13. Unplug this apparatus during lightning storms or when unused for long periods of time.
14. Refer all servicing to qualified service personnel. Servicing is required when the apparatus has been damaged in any way, such as power-supply cord or plug is damaged, liquid has been spilled or objects have fallen into the apparatus, the apparatus has been exposed to rain or moisture, does not operate normally, or has been dropped.
15. This appliance shall not be exposed to dripping or splashing water and that no object filled with liquid such as vases shall be placed on the apparatus.
16. Plug this apparatus to the proper wall outlet and make the plug to be disconnected readily operable.
17. Mains plug is used as disconnected device and it should remain readily operable during intended use. In order to disconnect the apparatus from the mains completely, the mains plug should be disconnected from the mains socket outlet completely.
18. **WARNING:** To reduce the risk of fire or electric shock, do not expose this apparatus to rain or moisture.
19. An appliance with a protective earth terminal should be connected to a mains outlet with a protective earth connection.
20. The apparatus should be disconnected from the mains completely before speaker wiring. The speaker output should be proper protected from direct contact and pay attention to speaker connections, terminals and speaker wiring during normal operation.



PRÉCAUTIONS DURANT UTILISATION

1. LISEZ ces instructions.
2. Tenez ces instructions.
3. Notez tous les avertissements.
4. Suivez toutes les avertissements.
5. N'utilisez pas ce produit près de l'eau (la piscine, la plage, le lac, etc.).
6. Nettoyez seulement avec une étoffe sèche.
7. Ne bloquez aucuns trous de ventilation. Installez en accord avec les instructions du fabricant.
8. N'installez près aucunes sources de chaleur comme radiateurs, registres de chaleur, fours ou les autres équipements (y compris amplificateurs) qui produisent la chaleur.
9. Ne défaites pas le but de sécurité de la fiche polarisée ou base-type. Une fiche polarisée a deux tranchants avec un plus large que l'autre. Une fiche de base type a deux tranchants et une troisième pointe de base, le tranchant large ou la troisième pointe est fourni pour votre sécurité. Si la fiche donnée ne conforme pas votre prise de contact, consultez un électricien pour remplacement de la prise de contact obsolète.
10. Protégez le cordon de secteur contre être marchée dessus ou pincez en particulier aux fiches, aux douilles de convenance, et au point où ils sortent de l'appareil.
11. Seulement utilisez attachements/accessoires spécifiés par le fabricant.
12. Utilisez seulement avec un chariot, un stand, un trépied, un support ou une table indiquée par le fabricant, ou vendue avec l'appareil. Quand un chariot est utilisé, faites attention en déplaçant la combinaison d'appareil/chariot pour éviter de se déséquilibrer.
13. Arrachez la fiche du dispositif durant éclair et orage ou quand pas utilisé pour longues périodes de temps.
14. Réferez au personnel qualifié de service pour toutes réparations. La réparation est donnée quand le système a été endommagé à n'importe façon, par exemple un fil ou une fiche endommagé(e) de la source d'alimentation. Avoir été exposé à pluie ou humidité, n'opère pas normalement, ou avoir été tombé.
15. L'appareil ne doit pas être exposé aux écoulements ou aux éclaboussures et aucun objet ne contenant de liquide, tel qu'un vase, ne doit être placé sur l'objet.
16. Branchez l'appareil à une source appropriée et faire que la prise à débrancher soit facilement accessible.
17. La prise du secteur ne doit pas être obstruée ou doit être facilement accessible pendant son utilisation. Pour être complètement déconnecté de l'alimentation d'entrée, la prise doit être débranchée du secteur.
18. **AVERTISSEMENT:** Pour éviter le risque d'incendie ou de chocs électriques, ne pas exposer cet appareil à la pluie ou à l'humidité.
19. Un appareil avec la borne de terre de protection doit être connecté au secteur avec la connexion de terre de protection.
20. Assurez-vous que l'appareil est hors tension avant de connecter les hauts parleurs. Vérifiez que la sortie des enceintes soit protégées contre un contact physique. Respecter les polarités des terminaux ainsi que le câblage des enceintes pendant le fonctionnement afin d'assurer une utilisation sécurisée.



XA SERIES

Congratulations on choosing Australian Monitor for your professional amplification requirements.

The design of our XA Series Audio Power Amplifiers embraces all the aspects of a well designed amplifier. The visual design, mechanical, electrical and sonic parameters, along with our dedicated manufacturing process, have all been optimized to provide a professional tool that exhibits quality, reliability and longevity.

The XA Series amplifiers are 2 unit (3.5") high, 19" wide, rack mountable units.

Each channel of the amplifier comprises a balanced active input with a buffered attenuator driving a drive stage which in turn drives a fan-cooled output stage. The amplifier operates from a high current-capable switch-mode power supply.

These amplifiers have been specifically designed to deliver their high power output with minimal distortion, and provide the critical degree of control required by your speakers.

INTRODUCTION	3
FEATURES	4
CONTROLS, CONNECTORS & INDICATORS	5–6
INSTALLATION	7–8
OPERATION	9
MAINTENANCE	10
SPECIFICATIONS	11

Revision 1.3 June 2011

WARNING!

TO PREVENT FIRE OR SHOCK HAZARD, DO NOT USE THE PLUG WITH AN EXTENSION CORD, RECEPTACLE OR OTHER OUTLET UNLESS THE BLADES CAN BE FULLY INSERTED TO PREVENT BLADE EXPOSURE.

TO REDUCE THE RISK OF FIRE OR ELECTRIC SHOCK, DO NOT EXPOSE THIS APPLIANCE TO RAIN OR MOISTURE.

TO PREVENT ELECTRICAL SHOCK, MATCH WIDE BLADE PLUG TO WIDE SLOT, FULLY INSERT.



The lightning flash with arrowhead symbol, within an equilateral triangle, is intended to alert the user to the presence of uninsulated "dangerous voltage" within the product's enclosure that may be of sufficient magnitude to constitute a risk of electric shock to persons.

CAUTION

**RISK OF ELECTRIC SHOCK
DO NOT OPEN**

WARNING: TO REDUCE THE RISK OF ELECTRIC SHOCK, DO NOT REMOVE COVER (OR BACK). NO USER SERVICEABLE PARTS INSIDE. REFER SERVICING TO QUALIFIED SERVICE PERSONNEL.



The exclamation point within an equilateral triangle is intended to alert the user to the presence of important operating and maintenance (servicing) instructions in the literature accompanying the appliance.

Rating plate and caution marking are marked on the back enclosure of the apparatus



FEATURES & PROTECTION FEATURES

FEATURES

Custom designed, 2RU heavy duty steel chassis

Front carry handles

Symmetrical layout – even-weight distribution

Class G operation

High efficiency switch mode power supply

Efficient front to back cooling

Variable speed axial fans

Balanced inputs and buffered attenuators

Input signal strapping (loop through) connectors

Signal ground lift switch

Built in limiter circuit

Stereo, bridged or parallel operation

Binding post and 4 pole speaker output connection

VU meter

Output clip indication

Multi-role output fault indication

High-quality, close-tolerance components throughout

Lightweight

PROTECTION FEATURES

Suppression of inrush current at mains turn-on

Input muting at turn-on

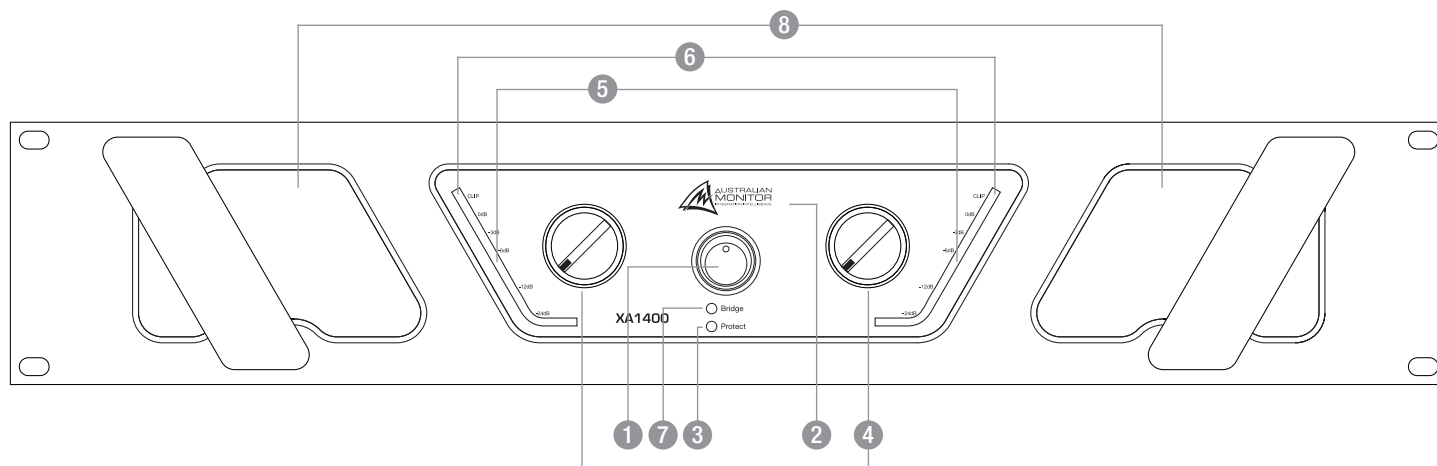
Input overvoltage protection

Radio-frequency interference suppression

Short-circuit protection and indication

High overload mains breaker

Thermal sensing



FRONT PANEL

The XA Series differ only slightly across all models and all share the same features on their front panels.

The functions of the controls and indicators are as follows:

1 Power Switch

Press the switch to up for power on and down for power off. At start-up (turn-on), the input to the amplifier is muted for approximately two seconds.

2 Australian Monitor Logo/On Indicator

The Australian Monitor Logo will illuminate and indicates that the amplifier is on and receiving mains power.

3 Fault Indicator

This red LED indicates a problem with the amplifier or that it has over heated. In the advent of a thermal overload, the internal operating temperature of one or both amplifier channels has exceeded a safe level of operation and the channels will be automatically muted. The fans will continue to run and once the effected channel/s have cooled, they will unmute and return to normal operation.

4 Attenuator

Level control for your amplifier is provided by a potentiometer on the front panel and indicates gain. There are two controls on all XA models. Each control is labelled for the channel which it operates.

5 VU Meter

This is a blue LED lamp which displays the level of the output stage signal.

The attack and decay time (ballistics), of the status circuit are those of a Peak Programme Meter (P.P.M.)

6 Clip

This red LED will illuminate when clip occurs.

Clipping can occur under extreme operating conditions such as:

complex or very low loads

over driving the amplifier

It should be noted that the minimum load for the amplifier is 2 ohms per channel (4 ohm bridged).

NOTE: The amplifier is not damaged by running into clipping, but speakers may be. To maximise the life of your speakers, try to keep clipping infrequent.

The clip detection circuit works by using the feedback circuit where the input is continually compared to the output. When the input differs from the output either due to rail clipping or current limiting the clip circuit is triggered.

This point also controls the voltage limiter so the voltage will limit at precisely the clip point no matter what the load is or where the mains voltage level is.

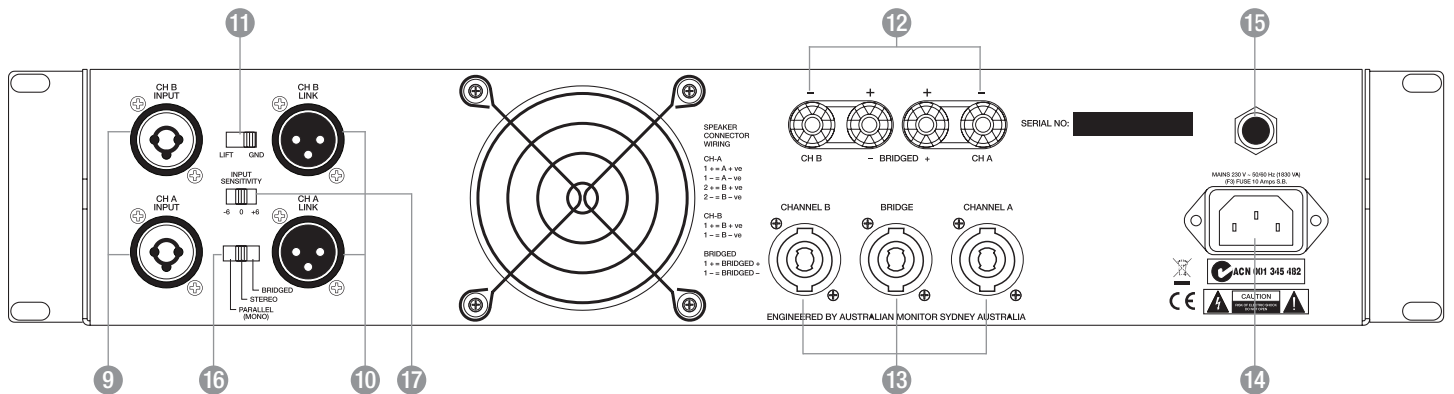
7 Bridge Indicator

This amber LED will illuminate when the input switch is set to bridge.

8 Fan Grill

This is where air is drawn into the amplifier for cooling.

NOTE: You should always ensure that the fan grille is kept clean and free from the build up of dust and lint. This will ensure longer operation of your amplifier and reduce the possibility of it prematurely going into thermal shutdown mode. See the section "Installation – Cooling" on page 7 for recommended cooling procedures.



REAR PANEL

9 Balanced Input

A female 3-pin combined XLR/TRS type connector is provided on each input:

Pin 1/Sleeve = Signal Ground;

Pin 2/Tip = Hot (non-inverting or in phase);

Pin 3/Ring = Cold (inverting or reverse phase).

10 Signal Strapping

A male 3-pin XLR type connector is provided and wired in parallel with the female input XLR for strapping / looping signal between amplifiers.

11 Signal Ground Lift Switch

When this switch is engaged it disconnects signal ground from the input connectors on both channels. It is intended to be used when “hum” is caused by earth loops (due to different ground potentials between source equipment and the amplifier) or stray magnetic field pick up on the input ground/shield wiring. (It does not interrupt signal ground continuity on the strapping connector). The amplifier should be turned off before engaging this switch!

12 Binding Post Outputs

Touch proof binding posts (banana jacks) are provided for speaker output termination with banana plugs or bare wire. The red post is used as positive and the black post is used as negative. For bridge connection, use only the red posts.

13 Speaker Output Connector

A 4 pole speaker connector is provided as an additional speaker output. This standard of loudspeaker-to-amplifier connection allows access to both channels of the amplifier via the one connector for bi-amp applications. Channel-A is considered the dominant channel and has both channels wired to the speaker connector. See the installation section of this manual for detailed information on speaker connector wiring.

14 Mains Connection

Your amplifier is fitted with an internationally recognised IEC mains inlet connector.

Please ensure that the connecting mains lead for use with the IEC connector is of an approved type and is of sufficient current carrying ability.

NOTE: Your unit must always be earthed!

15 Circuit Breaker

The amplifier is fitted with a resettable circuit breaker.

If the circuit breaker trips, allow 3 mins for the contacts to reset thermally before pushing the reset button to reset it mechanically.

16 Stereo/Bridge/Parallel Mono Switch

When set to STEREO, your amplifier operates as two independent channels. When set to PARALLEL, your amplifier will only accept signal applied to Channel A's input XLR. Channel B's output signal will come from A's input but both channels will have independent attenuator control.

When set to BRIDGE mode of operation your amplifier will only accept signal applied to channel A's input XLRs and the level of both channels will be controlled by the channel A attenuator. The output from channel B will automatically be of the opposite polarity (reversed phase) and speaker termination should be sourced from the red binding-post outputs. Alternatively, the speaker could be connected to poles 1+ & 2+ of the 4 pole speaker connector (see Installation – Output Wiring on page 7).

17 Gain Setting

This switch adjusts the sensitivity of your amplifier. When set to 0dB a 0dBu signal applied to the input with the attenuator at max will deliver maximum power to the output.



Power Requirements

Power consumption for your model of the XA Series amplifier is indicated on the rear panel for maximum output.

Ensure that your mains voltage is the same as the rear panel mains voltage marker (+/- 10%).

Mounting

Your amplifier is designed for standard 19" rack mounting and occupies 2 EIA rack units (3.5"). The mounting centres are:

Vertical: 3.0" (76.2mm)

Horizontal: 18.2" (461.2mm) to 18.7" (473.8mm).

The slots in the mounting flange will accept bolt diameters up to 1/4" (6.35mm).

We recommend that you provide additional support for the amplifier, especially if road use is planned, as the weight could bend some rack frames.

This support can be provided by secure shelving on support rails.

Cooling

Your XA Series amplifier is cooled by an axial fan which draws cool air from the front of the amplifier and expels the heated air out the rear of the amplifier. These amplifiers offer variable speed fans which run at half speed up to full speed when the internal heatsink temperature exceeds 60° C (128° F).

An unrestricted airflow into and out from the amplifier must be provided. Any restriction of the air flow will cause heat to build up within the unit and possibly force the unit into its thermal shutdown mode.

If the amplifiers are to be operated in an environment where the airflow is restricted such as sealed racks, the cooling should be supplemented by extra cooling fans to evacuate the heated air and aid the flow of cool air through the unit.

Input Wiring

⚠ IMPORTANT: Do not directly connect pin 1 on the amplifier's input or strapping XLR, to the amplifier's chassis, speaker ground or power ground!

⚡ WARNING: Input signal ground is not to be used as a safety ground (earth).

The input to your amplifier is a balanced 3-pin configuration and requires all three pins to be connected. Only high quality twin-core shielded cable should be used.

When wiring for a balanced source, the connector going to the input of your amplifier should be wired as follows:

Pin 1/Sleeve = GROUND / SHIELD.

Pin 2/Tip = HOT (In Phase - non inverting).

Pin 3/Ring = COLD (Reverse Phase - inverting).

When wiring from an unbalanced source you must ensure that pin 3 is connected to pin 1 (input ground), either by linking the pins in the input connector or by the source equipment's output wiring.

When wiring for an unbalanced source:

Pin 1/Sleeve = GROUND/SHIELD

Pin 2/Tip = HOT (in phase with the amplifier's output),

Pin 3/Ring = GROUND/SHIELD (joins to pin 1).

NOTE: In-line XLR connectors often have a termination lug that connects directly to the chassis of the connector.

⚠ IMPORTANT: Do not link this lug to pin 1 at the amplifier's input as it will defeat the amplifier's input grounding scheme.

Output Wiring

When wiring to your speakers always use the largest gauge wire your connector will accept. The longer the speaker lead, the greater the losses will be, resulting in reduced power and less damping at the load. We recommend using a heavy duty, two core flex (four core flex if bi-amping) 10 to 12 gauge (2mm² to 2.5mm² or 50/0.25 or equivalent) as a minimum.

Binding Post Outputs

When terminating to the 4 mm binding post (banana jack) output connectors, banana plugs or bare wires can be used. The red terminal is positive and the black terminal is negative (ground).

If running in BRIDGE mode, only the red binding posts are used.

When bridging, Channel A provides the positive output to the load and channel B provides the negative output to the load.

Speaker Outputs

When using the 4 pole speaker connector for speaker output, use only the mating 4 pole in-line connector. This connector is designed so that both channels can be fed from a single connector.

Two speaker connectors are provided on the amplifier.

The "Channel A" speaker connector actually carries both channel A and channel B outputs (see Speaker Connector Wiring Diagrams).

The "Channel B" speaker connector carries the Channel B output only.

This arrangement allows you the option of connecting to the outputs separately or together. Connecting through a single connector has the advantage of minimising connections, preserving phasing and simplifying channel allocation, which is particularly important when bi-amping or in bridge mode.

⚠ IMPORTANT: Do not overload your amplifier by connecting the channel B output twice!

Channel A is used as the "dominant" channel and when sourcing a dual output from Channel A, the following standard should normally be used (depending on speaker system wiring):

Channel A = Left or Low Frequencies.

Channel B = Right or High Frequencies.

When in bridge mode:

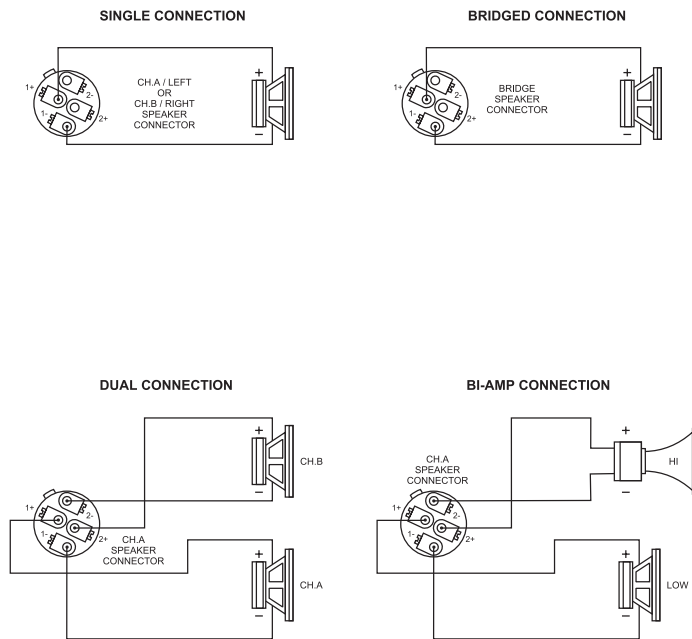
Pin 1+ = Bridge Output Positive

Pin 2+ = Bridge Output Negative



INSTALLATION

Speaker Connector Wiring Diagram



Hum Problems

Most equipment is designed for minimum hum when used under ideal conditions. When connected to other equipment, and to a safety earth in an electrically noisy environment, problems may occur.

The three "E"s of hum and hum related noise which can plague your audio system are:

- Electrostatic radiation,
- Electromagnetic radiation, and
- Earth loops

Electrostatic radiation capacitively couples to system elements, causing an interference voltage that mainly affects higher impedance paths, such as amplifier inputs. The source is generally a nearby high voltage, such as a mains lead or a speaker lead. The problem can usually be reduced by moving the offending lead away, or by providing additional electrostatic shielding (i.e. an earthed conductor which forms a barrier to the field).

Electromagnetic radiation induces interference currents into system elements that mainly effect lower impedance paths. Radio transmitters or stray magnetic fields from mains transformers are often the cause of this problem. It is generally more difficult to eliminate this kind of interference, but again, moving the source away or providing a magnetic shield (i.e. a steel shield) should help.

Earth loops can arise from the interfacing of the various pieces of equipment and their connections to various safety earths.

This is by far the most common cause of hum, and it occurs when source equipment and the amplifier are plugged into different points along the safety earth where the safety earth wiring has a current flowing through it. The current flowing through the wire produces a voltage drop due to the wire's resistance. This voltage difference between the amp earth and source equipment earth appears to the amplifier's input as a signal and is amplified as hum. There are three things you can do to avoid earth loop problems:

Ensure the mains power for the audio system is "quiet" i.e. without equipment on it such as air-conditioning, refrigeration or lighting which may generate noise in the earth circuit.

Ensure all equipment within the system shares a common ground/ safety earth point. This will reduce the possibility of circulating earth currents, as the equipment will be referenced to the same ground potential.

Ensure that balanced signal leads connecting to the amplifier are connected to earth at one end only.

Signal Ground-Lift Switch

When proper system hook-up has been made, you may still have some hum or hum related noise. This may be due to any of the previously mentioned gremlins.

Your XA Series amplifier has a "Signal Ground Lift" switch which disconnects the input ground wiring from the amplifier. A substantial drop in hum and/or hum related noise can result from the judicious use of this switch.

NOTE: If the input ground lift switch is used, you must ensure adequate shielding of the input wiring. If the signal source equipment does not provide adequate shielding (i.e. a definitive connection to ground), you must disconnect the shield from the input connector's ground pin

(Pin-1) and re-connect it to the "drain" contact on the input connector. This will ensure the shield on your input wiring actually goes to the amplifier chassis and subsequently to earth.

! IMPORTANT: Do not connect pin-1 directly to the drain connection. You will defeat the amplifiers internal grounding scheme and possibly cause instability to the amplifier.

Always ensure that your amplifier is off and the attenuators are down when you engage this switch. This switch should only be used when the amplifier is operated from a balanced signal source.

NOTE: Be wary of quasi-balanced outputs, these are often no more than floating unbalanced outputs.



! IMPORTANT: All signal source equipment should be adequately earthed. This not only ensures your safety but everybody else's as well. Faults can and do occur in mains connected equipment where the chassis can become "live" if it is not properly earthed. In these instances, the fault in a "floating" (ungrounded) piece of equipment will look for the shortest path to ground, which could possibly be your amplifier's input. If the fault current is large enough, it will destroy the input to your amplifier and look for the next available path, which may be you!

Before making any connections to your XA Series amplifier, observe the following:

Ensure the mains voltage supply matches the label on the rear panel of your amplifier (+/- 10%).

Ensure that the power switch is OFF.

Ensure that all system grounds (earth) are connected from a common point. Avoid powering equipment within a system from multiple power sources that may be separated by large distances.

Check the continuity of all interconnecting leads to your amplifier; ensure that there are no open or short circuited conductors.

Ensure that the power handling of your load (speakers) can adequately cope with the power output of the amplifier.

Before operating your XA Series amplifier, ensure that:

The attenuators are at the "OFF" position (fully anticlockwise).

The GROUND LIFT Switch is not engaged (should be in the "out" position).

The BRIDGE Switch is not engaged if you are not running the amp in bridged mode.

Powering Up

! REMEMBER: The amplifier should be the last piece of equipment that you turn on and the first piece of equipment that you turn off. We recommend turning the attenuators on your amplifier down when turning the unit on.

When you power up your XA Series, your amplifier goes through an initialising period before it will accept signal. The Inrush Current Suppression (ICS) circuit is in operation for the first 0.2 seconds. This limits the mains current, to prevent "nuisance-tripping" of circuit breakers.

During this period you will hear a couple of relays "click", indicating mains is now directly applied to the amplifier and the signal path is connected.

While the ICS circuit operates there is also a 30dB mute on the signal input. After two seconds this mute will release, allowing any applied signal to pass un-attenuated.

When switching the amplifier off, wait a couple of seconds before switching the amplifier on again. This allows the ICS circuit to reset.

Level Matching

The normal operating position for the attenuator is the max position (fully clockwise, no attenuation). In this position the amplifier operates at full gain. Turning the attenuator back (anticlockwise) reduces the input sensitivity.

NOTE: If full power output is required, you should operate your amplifier with the front panel attenuator above the half way (12 o'clock) position, otherwise clipping of the input circuitry and its resultant distortion will occur before full output power is achieved.

Sensitivity

Your amplifier is a linear device operating with a fixed input to output voltage gain (less attenuation). The maximum output voltage swing is determined by the applied mains voltage, load, load type and the duty cycle of the applied signal.

The input sensitivity for your XA Series amplifier when the attenuator is at maximum position (fully clockwise) is nominally:

0dBu (0.775 volts in) for rated power into a 4 ohm load.

Each channel of your XA Series amplifier has a nominal balanced input impedance of 20kOhms (@1kHz) and should not present a difficult load for any signal source.

Your signal source (i.e. the equipment feeding signal to the amplifier) should have an output impedance of 600 Ohms or lower to avoid unwanted high frequency loss in the cabling.

Input overload occurs at +20.5dBu(8.25volts).



MAINTENANCE

Only competent or qualified persons should attempt any service or maintenance of your amplifier. Your XA Series amplifier will need minimal maintenance. No internal adjustments need to be made to the unit to maintain optimum performance. To provide years of unhindered operation we suggest a maintenance inspection be carried out on a regular basis, say every 12 months or so.

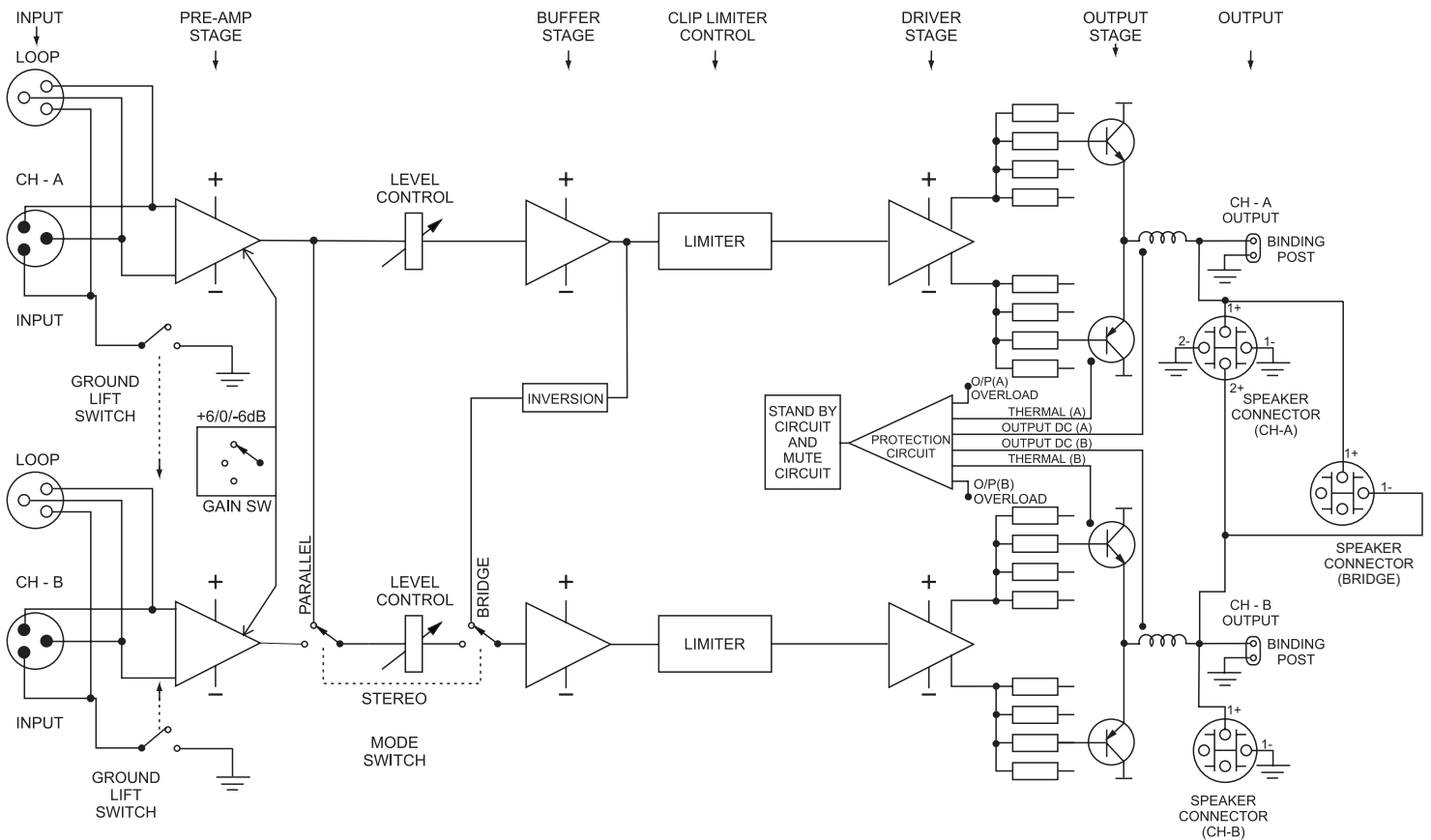
Fans

Due to the openness of the air path through your XA Series amplifier, very little dust should settle within the amplifier. The unit has been designed so that any dust and/or foreign particles that do settle within the amplifier will not unduly hinder the cooling of the amplifier.

The grille in front of the fans will act to limit the amount of dust and lint entering the amplifier. You will find in time that there will be a build up of dust and lint on the grille which may start to hinder the airflow through the amplifier. You should periodically remove the dust and keep the grille clean. Removal of dust from the rear grille will also aid cooling.

Over time, dust may build up on the leading edge of the fan blades and reduce their cooling efficiency. The time taken for this to happen will depend on the environment and the amount of use.

The fan blades are accessible once the lids are removed and can be easily cleaned. You need only hold the fan rotor still and wipe the dust off the blades. Many users stall the fan and use compressed air to blow the dust off the fan blades. It is important to note that the fan blades must be held still whilst blowing air over the blades otherwise you may burn out the bearings in the fan.





XA1000

Output Power 1% THD @ 1kHz	2ohm single channel	2ohm both channels driven	4ohm	8ohm
Stereo	550W	500W	300W x 2	200W x 2
Bridged			1000W	600W
Distortion (re 4ohm, 1dB below clip)	THD (@ 1kHz)			0.1%
Input Impedance				20kohms
Input Sensitivity				-6/0/+6dBu
Signal/Noise Ratio				100dB
Damping factor	(@ 1kH re 8 ohms)			300:1
Frequency Response	(+/-0.5dB)			20Hz–20kHz
Thermal Dissipation	Both channels, 2ohm 1/8th power			370W (1163btu/hr)
Current Draw	Both channels driven, 2ohm load, 230Vac 1/8th power			2.7A
Dimensions (H x W x D)				88mm x 482mm x 325mm
Weight				7kg
Shipping Dimensions (H x W x D)				190mm x 600mm x 430mm
Shipping Weight				10kg

XA1400

Output Power 1% THD @ 1kHz	2ohm single channel	2ohm both channels driven	4ohm	8ohm
Stereo	800W	700W	500W x 2	350W x 2
Bridged			1400W	1000W
Distortion (re 4ohm, 1dB below clip)	THD (@ 1kHz)			0.1%
Input Impedance				20kohms
Input Sensitivity				-6/0/+6dBu
Signal/Noise Ratio				100dB
Damping factor	(@ 1kH re 8 ohms)			300:1
Frequency Response	(+/-0.5dB)			20Hz–20kHz
Thermal Dissipation	Both channels, 2ohm 1/8th power			565W (1928btu/hr)
Current Draw	Both channels driven, 2ohm load, 230Vac 1/8th power			3.8A
Dimensions (H x W x D)				88mm x 482mm x 410mm
Weight				10kg
Shipping Dimensions (H x W x D)				190mm x 600mm x 500mm
Shipping Weight				14kg



ENGINEERED BY AUSTRALIAN MONITOR

Address: 1 Clyde Street, Silverwater, Sydney NSW 2128 Australia. Private Bag 149, Silverwater NSW 1811 ABN 78 001 345 482

Website: www.australianmonitor.com.au International enquiries email: international@australianmonitor.com.au



DISTRIBUTED IN AUSTRALIA AND NEW ZEALAND BY HILLS SVL www.hillssvl.com.au

NSW	QLD	ACT	WA	VIC	SA	NZ
P: 02 9647 1411	P: 07 3852 1312	P: 02 6260 4544	P: 08 9204 0200	P: 03 9890 7477	P: 08 8408 8300	P: 09 415 9426
E: nsw@hillssvl.com.au	E: qld@hillssvl.com.au	E: act@hillssvl.com.au	E: wa@hillssvl.com.au	E: vic@hillssvl.com.au	E: sa@hillssvl.com.au	E: sales@hillssvl.co.nz