



AMHEAVYG

HEAVY-DUTY GOOSENECK MICROPHONE

The AMHEAVYG is a heavy-duty gooseneck microphone designed specifically for continuous high usage in commercial environments.

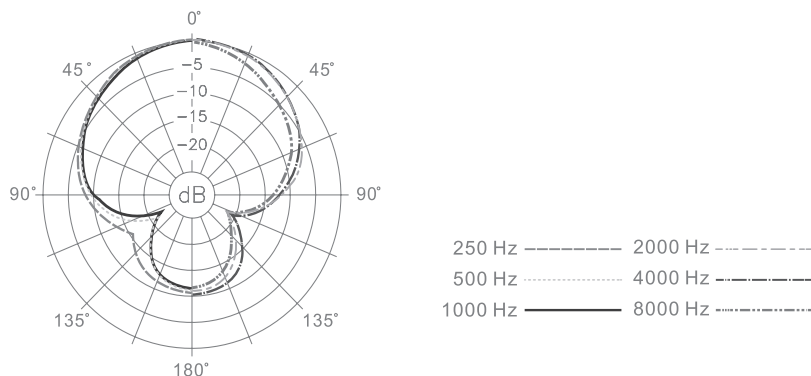
The heavy-duty goose neck and dynamic capsule provide dependable reliability which ensures years of reliable operation. Featuring a momentary switch the AMHEAVYG is also capable of providing dry contact closure to trigger pre-announce tone generators.

The AMHEAVYG is the ideal solution for PA paging scenarios such as supermarkets, service stations, fast food outlets and many other demanding commercial environments.

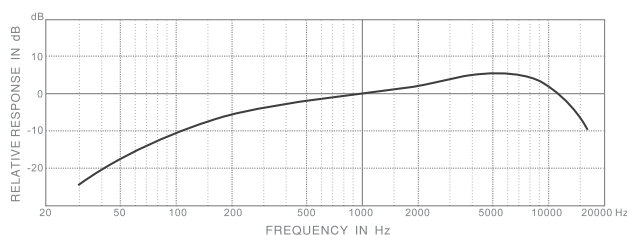
FEATURES

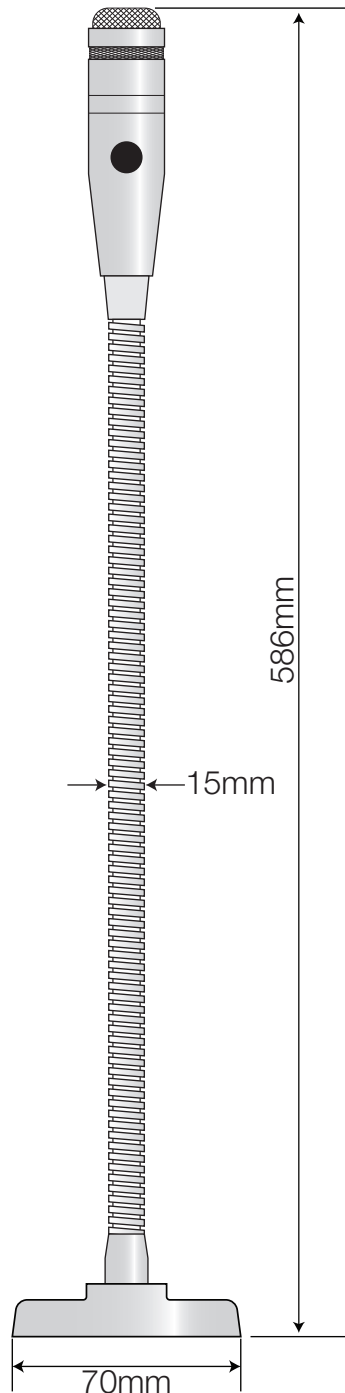
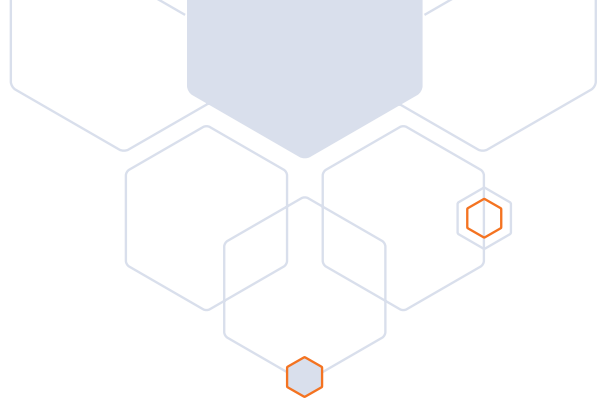
- Tailored for PA paging announcements
- Momentary including dry contact switch
- Heavy Duty Gooseneck
- Heavy duty dynamic capsule

TYPICAL POLAR PATTERNS



TYPICAL FREQUENCY RESPONSE





MODEL	AMHEAVYG
TRANSDUCER TYPE	Dynamic
POLAR PATTERN	Supercardioid
FREQUENCY RESPONSE	100Hz – 15Khz
SENSITIVITY	1.3 mV/Pa -58 dBV
ELECTRICAL IMPEDANCE	500 Ω
MIN. LOAD IMPEDANCE	2000 Ω
MAX. SPL	135dB @ 1% THD
FINISH	Silver
CABLE	Unterminated 4.0 mm shielded 1.5m 5 core
AUDIO CONNECTION	Red = Audio + Black = Audio – Drain = Audio Ground
SWITCH CONNECTION (NORMALLY OPEN N/O)	Green = Switch White = Switch
DIMENSIONS	586mm x 71mm
NET WEIGHT	750g



ENGINEERED BY AUSTRALIAN MONITOR

Address: Unit 1, 2 Daydream Street, Warriewood NSW 2102 Australia

Website: www.australianmonitor.com.au

International enquiries email: international@australianmonitor.com.au

ABN 86 003 231 187