

AMSLIMG

Gooseneck Microphone

The AMSLIMG gooseneck microphone provides a cost-effective microphone solution suitable for presentations. The cardioid electret condenser capsule provides high sensitivity pickup, while the included isolation shock mount ensures mechanical and room rumble noise is kept to a minimum.

This gooseneck microphone is highly recommended for conference rooms, board rooms, meeting rooms, houses of worship, school halls and many other presentation applications.

Features

- Tailored for Voice reproduction
- High Sensitivity
- Discreet unobtrusive slim design
- RF Shielded
- Power LED
- Phantom Power 9 – 52 V

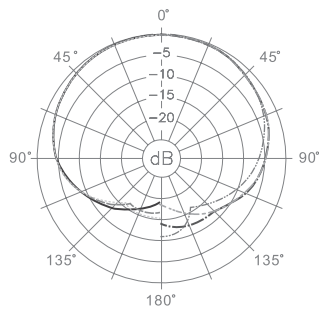
Included Accessories

- Isolated shock mount
- Windsock



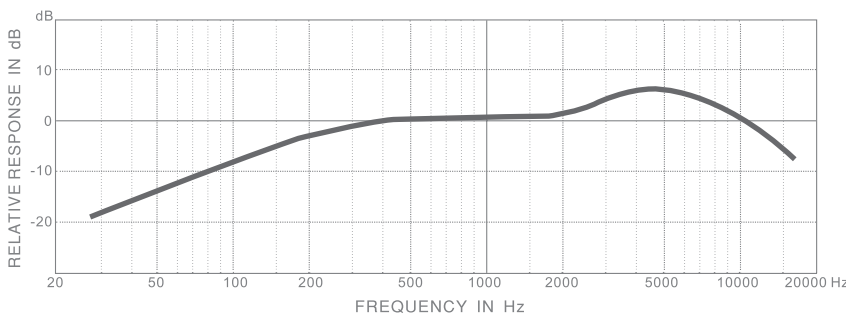
Specifications

Transducer Type	Electret condenser Ø 6mm
Polar Pattern	Cardioid
Frequency Response	50Hz – 16Khz
Sensitivity	11.2 mV/Pa -39 dBV
Electrical Impedance	200 Ω
Min. Load Impedance	1000 Ω
Equivalent Noise Output	26 dB
Max. SPL	130dB @ 1% THD
Phantom Power V	9 – 52 V DC
Current Draw	3.0 mA
Finish	Matte Black
Connection	Balanced 3 pin XLR Male Pin 2 +, Pin 3 -, Pin 1 shield
Operating Temp	-10°C – 50°C 95% humidity max.
Dimensions	450 mm Length
Net Weight	160g
Included Accessories	Isolation shock mount, windsock

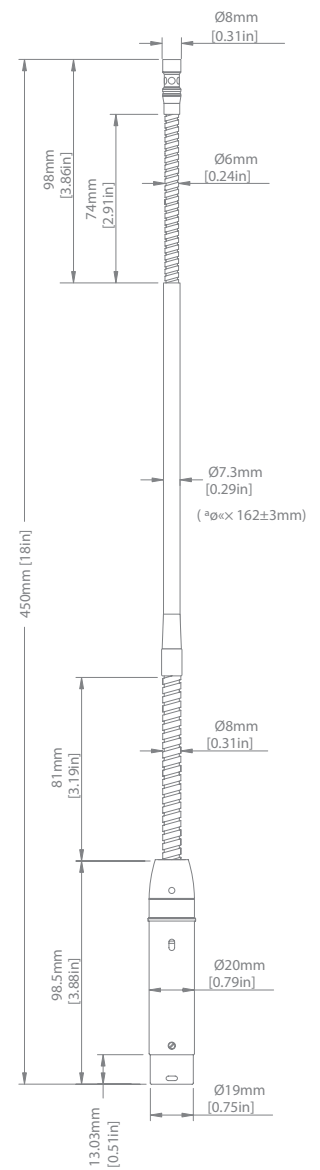


250 Hz ----- 2000 Hz -----
 500 Hz 4000 Hz -----
 1000 Hz ----- 8000 Hz -----

TYPICAL POLAR PATTERNS



TYPICAL FREQUENCY RESPONSE



DIMENSIONS



ENGINEERED BY AUSTRALIAN MONITOR
 Address: 1 Clyde Street, Silverwater NSW 2128 Australia.
 Website: www.australianmonitor.com.au
 International enquiries email:
customersupport@australianmonitor.com.au
 ABN 35 007 573 417