

AMX100WP

Wall Plate Microphone

The AMX100WP features an OMNI directional dynamic microphone capsule. Mounted to a stainless steel plate the capsule is designed to provide clear and intelligible vocal reproduction.

The AMX100WP is recommended for commercial microphone applications such as intercom talkback, surveillance, ambient noise sensing and many other applications.

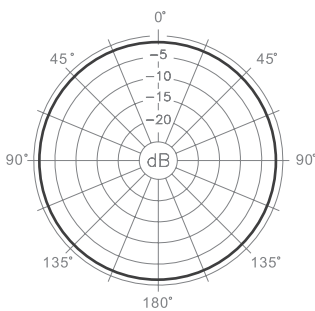
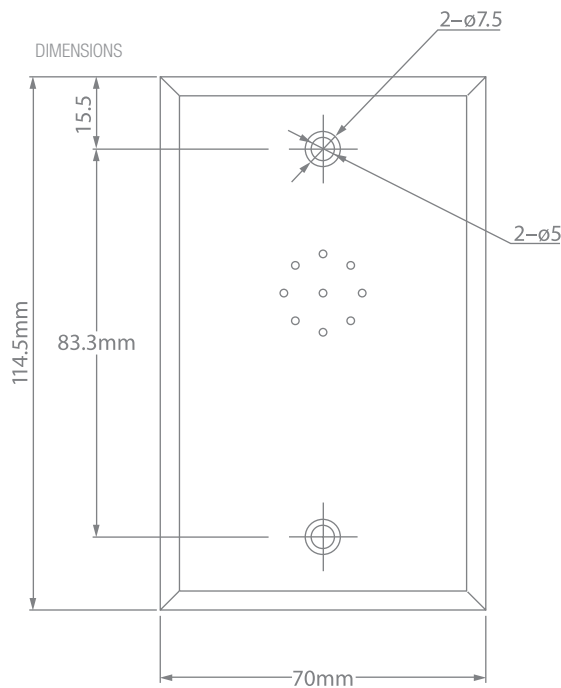
Features

- OMNI directional polar pattern
- Dynamic capsule
- Tailored vocal frequency response
- Stainless Steel mounting plate

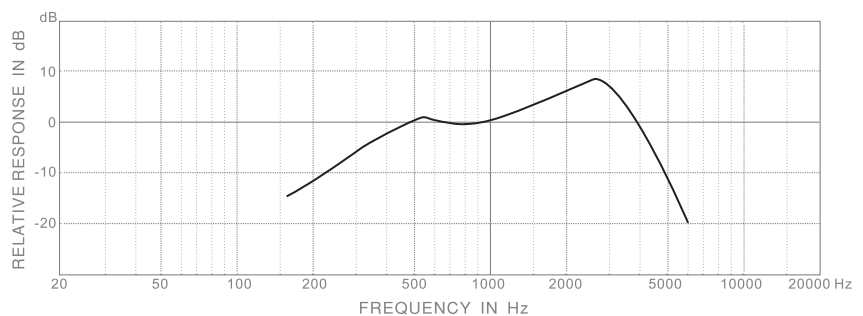


Specifications

Transducer Type	Dynamic
Polar Pattern	Omni
Frequency Response	150 – 4.5Khz
Sensitivity	-51dB (0dB=1mv)
Electrical Impedance	500Ω
Finish	Stainless Steel
Unbalanced Connection	Red (+) White (-)
Net Weight	85 grams
Dimensions H x W x D	114.5 x 70 x 29 mm



TYPICAL POLAR PATTERN



TYPICAL FREQUENCY RESPONSE



ENGINEERED BY AUSTRALIAN MONITOR
 Address: 1 Clyde Street, Silverwater NSW 2128 Australia.
 Website: www.australianmonitor.com.au
 International enquiries email:
customersupport@australianmonitor.com.au
 ABN 35 007 573 417