



INSTALLATION AND OPERATION MANUAL

IMGC450

GOOSENECK MICROPHONE

BOX CONTAINS:

1 x IMGC450 Gooseneck Microphone

1 x Isolated shock mount

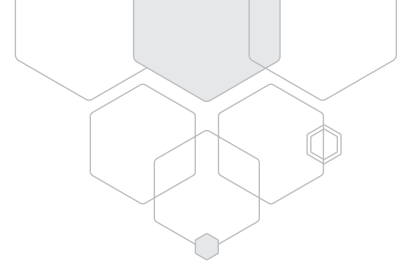
3 x Self tapping screws for
shock mount installation

1 x Windsock

Instruction manual



IMPORTANT SAFETY INFORMATION

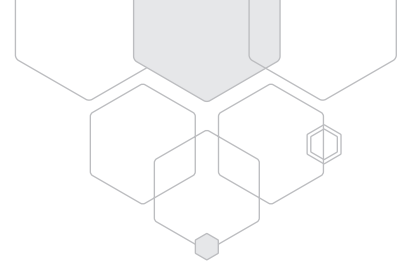


1. READ these instructions.
2. Keep these instructions.
3. Heed all warnings.
4. Follow all instructions.
5. Do not use this apparatus near water.
6. Clean only with dry cloth.
7. Do not block any ventilation openings. Install in accordance with the manufacturer's instructions.
8. Do not install near any heat sources such as radiators, heat registers, stoves, or other apparatus (including amplifiers) that produce heat.
9. Do not defeat the safety purpose of the polarized or grounding-type plug. A polarized plug has two blades with one wider than the other. A grounding type plug has two blades and a third grounding prong. The wide blade or the third prong are provided for your safety. If the provided plug does not fit into your outlet, consult an electrician for replacement of the obsolete outlet.
10. Protect the power cord from being walked on or pinched particularly at plugs, convenience receptacles, and the point where they exit from the apparatus.
11. Only use attachments/accessories specified by the manufacturer.
12. Use only with the cart, stand, tripod, bracket, or table specified by the manufacturer, or sold with the apparatus. When a cart is used, use caution when moving the cart/apparatus combination to avoid injury from tip-over.
13. Unplug this apparatus during lightning storms or when unused for long periods of time.
14. Refer all servicing to qualified service personnel. Servicing is required when the apparatus has been damaged in any way, such as power-supply cord or plug is damaged, liquid has been spilled or objects have fallen into the apparatus, the apparatus has been exposed to rain or moisture, does not operate normally, or has been dropped.
15. This appliance shall not be exposed to dripping or splashing water and that no object filled with liquid such as vases shall be placed on the apparatus.
16. Plug this apparatus to the proper wall outlet and make the plug to be disconnected readily operable.
17. Mains plug is used as disconnected device and it should remain readily operable during intended use. In order to disconnect the apparatus from the mains completely, the mains plug should be disconnected from the mains socket outlet completely.
18. **WARNING:** To reduce the risk of fire or electric shock, do not expose this apparatus to rain or moisture.
19. An appliance with a protective earth terminal should be connected to a mains outlet with a protective earth connection.
20. The apparatus should be disconnected from the mains completely before speaker wiring. The speaker output should be proper protected from direct contact and pay attention to speaker connections, terminals and speaker wiring during normal operation.

PRÉCAUTIONS DURANT UTILISATION

1. LISEZ ces instructions.
2. Tenez ces instructions.
3. Notez tous les avertissements.
4. Suivez toutes les avertissements.
5. N'utilisez pas ce produit près de l'eau (la piscine, la plage, le lac, etc.).
6. Nettoyez seulement avec une étoffe sèche.
7. Ne bloquez aucuns trous de ventilation. Installez en accord avec les instructions du manufacturier.
8. N'installez près aucunes sources de chaleur comme radiateurs, registres de chaleur, fours ou les autres équipements (y compris amplificateurs) qui produisent la chaleur.
9. Ne défaites pas le but de sécurité de la fiche polarisée ou base-type. Une fiche polarisée a deux tranchants avec un plus large que l'autre. Une fiche de base type a deux a deux tranchants et une troisième pointe de base, le tranchant large ou la troisième pointe est fourni pour votre sécurité. Si la fiche donnée ne conforme pas votre prise de contact, consultez un électricien pour remplacement de la prise de contact obsolète.
10. Protégez le cordon de secteur contre être marchée dessus ou pincé en particulier aux fiches, aux douilles de convenance, et au point où ils sortent de l'appareil.
11. Seulement utilisez attachements/accessoires spécifiés par le manufacturier.
12. Utilisez seulement avec un chariot, un stand, un trépied, un support ou une table indiquée par le manufacturier, ou vendue avec l'appareil. Quand un chariot est utilisé, faites attention en déplaçant la combinaison d'appareil/chariot pour éviter de se déséquilibrer.
13. Arrachez la fiche du dispositif durant éclair et orage ou quand pas utilisé pour longues périodes de temps.
14. Référez au personnel qualifié de service pour toutes réparations. La réparation est donnée quand le système a été endommagé à n'importe façon, par exemple un fil ou une fiche endommagé(e) de la source d'alimentation. Avoir été exposé à pluie ou humidité, n'opère pas normalement, ou avoir été tombé.
15. L'appareil ne doit pas être exposé aux écoulements ou aux éclaboussures et aucun objet ne contenant de liquide, tel qu'un vase, ne doit être placé sur l'objet.
16. Branchez l'appareil à une source appropriée et faire que la prise à débrancher soit facilement accessible.
17. La prise du secteur ne doit pas être obstruée ou doit être facilement accessible pendant son utilisation. Pour être complètement déconnecté de l'alimentation d'entrée, la prise doit être débranchée du secteur.
18. **AVERTISSEMENT:** Pour éviter le risque d'incendie ou de chocs électriques, ne pas exposer cet appareil à la pluie ou à l'humidité.
19. Un appareil avec la borne de terre de protection doit être connecté au secteur avec la connexion de terre de protection.
20. Assurez-vous que l'appareil est hors tension avant de connecter les hauts parleurs. Vérifiez que la sortie des enceintes soit protégées contre un contact physique. Respecter les polarités des terminaux ainsi que le câblage des enceintes pendant le fonctionnement afin d'assurer une utilisation sécurisée.

INTRODUCTION & CONTENTS



IMGC450

Thank you for purchasing this quality Australian Monitor product.

The IMGC450 is the finest gooseneck microphone Australian Monitor has released. This premium electret condenser microphone is tailored specifically for voice reproduction, providing a neutral tone and transparent response. The cardioid polar pattern of the IMGC450 provides exceptional gain before feedback. Users will enjoy fuss-free setup with minimal EQ manipulation, ensuring maximum SPL for that all-important presentation.

This premium microphone is highly recommended for conference rooms, board rooms, meeting rooms, houses of worship, school halls and many other presentation applications.

Introduction	3
Installing Shock Mount	4
Dimensions	5
Polar Patterns / Frequency Response	6
Specifications	7

Revision 2.0: August 2021

WARNING

TO PREVENT FIRE OR SHOCK HAZARD, DO NOT USE THE PLUG WITH AN EXTENSION CORD, RECEPTACLE OR OTHER OUTLET UNLESS THE BLADES CAN BE FULLY INSERTED TO PREVENT BLADE EXPOSURE.

TO REDUCE THE RISK OF FIRE OR ELECTRIC SHOCK, DO NOT EXPOSE THIS APPLIANCE TO RAIN OR MOISTURE.

TO PREVENT ELECTRICAL SHOCK, MATCH WIDE BLADE PLUG TO WIDE SLOT & FULLY INSERT.

CAUTION

TO REDUCE THE RISK OF ELECTRIC SHOCK DO NOT PERFORM ANY SERVICING OTHER THAN THAT CONTAINED IN THE OPERATING INSTRUCTIONS UNLESS YOU ARE QUALIFIED TO DO SO.



The lightning flash with arrowhead symbol, within an equilateral triangle, is intended to alert the user to the presence of uninsulated "dangerous voltage" within the product's enclosure that may be of sufficient magnitude to constitute a risk of electric shock to persons.



WARNING

TO REDUCE THE RISK OF ELECTRIC SHOCK, DO NOT REMOVE COVER (OR BACK). NO USER SERVICEABLE PARTS INSIDE. REFER SERVICING TO QUALIFIED SERVICE PERSONNEL.

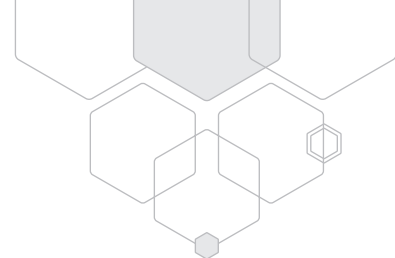


The exclamation point within an equilateral triangle is intended to alert the user to the presence of important operating and maintenance (servicing) instructions in the literature accompanying the appliance.



For European Union countries: This symbol on the product or its packaging indicates that this product must not be disposed of with other waste. Instead, it is your responsibility to dispose of your waste equipment by handing it over to a designated collection point for the recycling of waste electrical and electronic equipment. Please contact your local authority for further details of your nearest designated collection point.

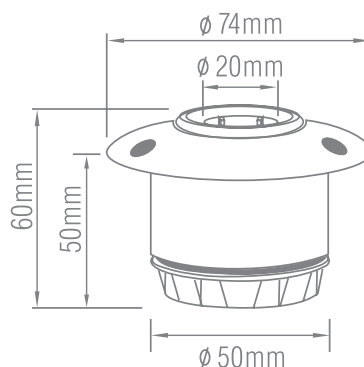
INSTALLING SHOCK MOUNT & IMGC450 MICROPHONE



The shock mount is designed to be flush-mounted and provides isolation to reduce room-rumble and mechanical noises from being amplified.

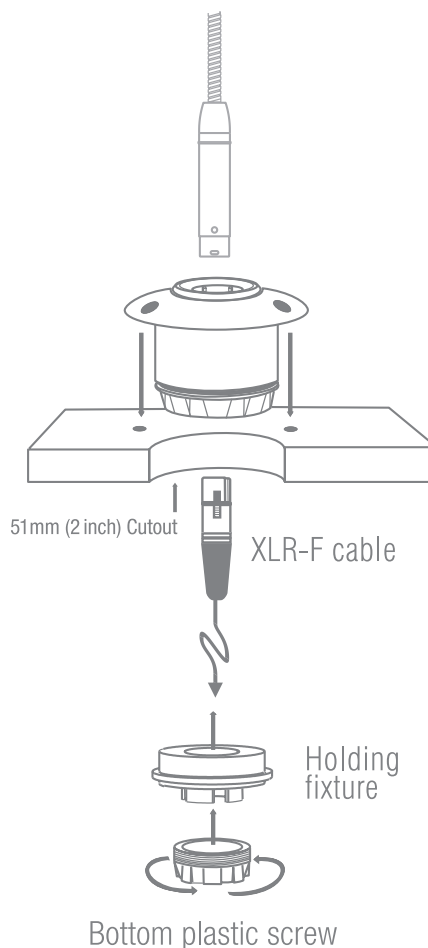
Installing the Shock Mount

- 1 Choose a suitable flat surface to install the shock mount.
- 2 Using a hole saw cut a 51mm (2inch) diameter hole through the mounting surface
- 3 Slide the shock mount into the freshly cut hole and mark the location of the three screw holes using a marker or punch.
- 4 Using a 3.0mm drill pre-drill three pilot holes.
- 5 Insert the shock mount into the hole again and fasten down the shock mount with the 3 screws provided.

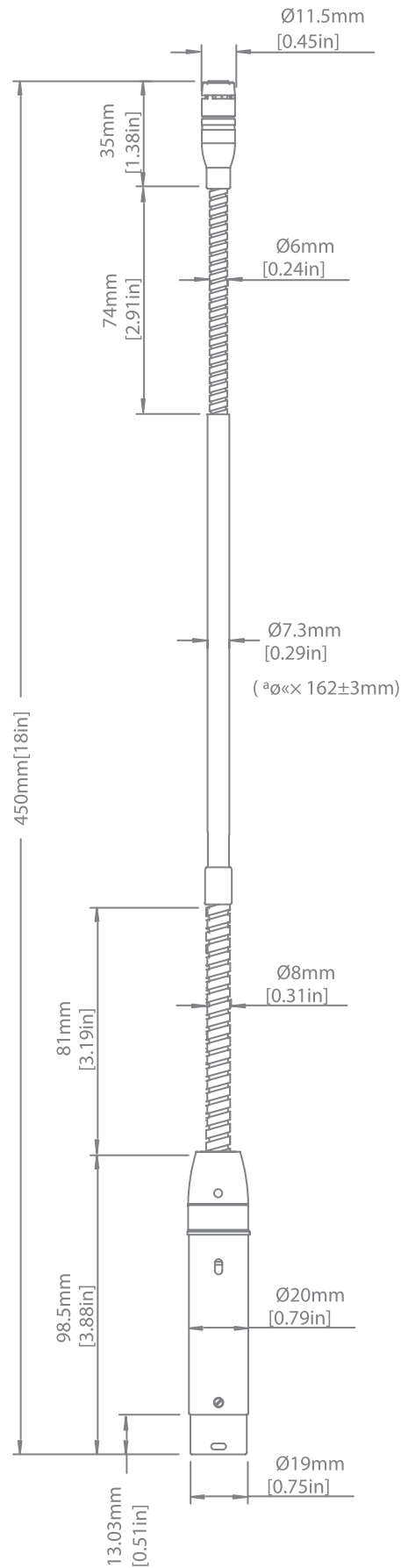
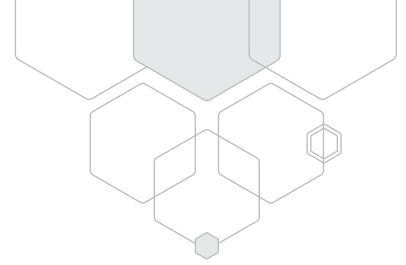


Installing IMGC450 into the Shock Mount

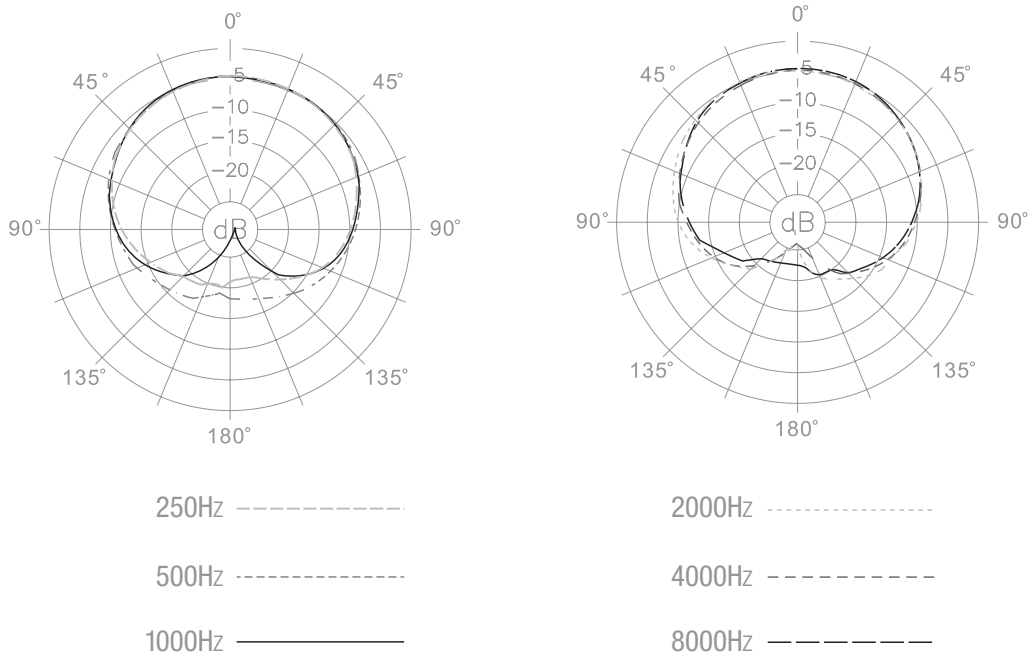
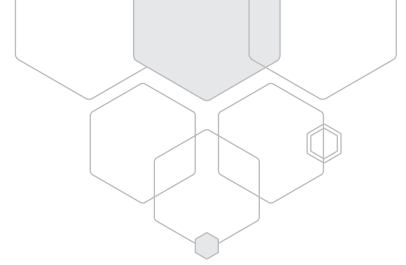
- 1 To install the IMGC450 into the Shock Mount unscrew the bottom plastic screw collar.
- 2 Slide the IMGC450 body into the Shock Mount.
- 3 Re-install the bottom plastic screw collar until snug.
- 4 Be careful not to cross thread or crack the plastic screw collar.
- 5 Insert a female 3-pin XLR connector into the microphone base.
- 6 Phantom power is required for the IMGC450 to operate.
- 7 To avoid possible loudspeaker damage ensure the PA system is muted first before you enable phantom power.



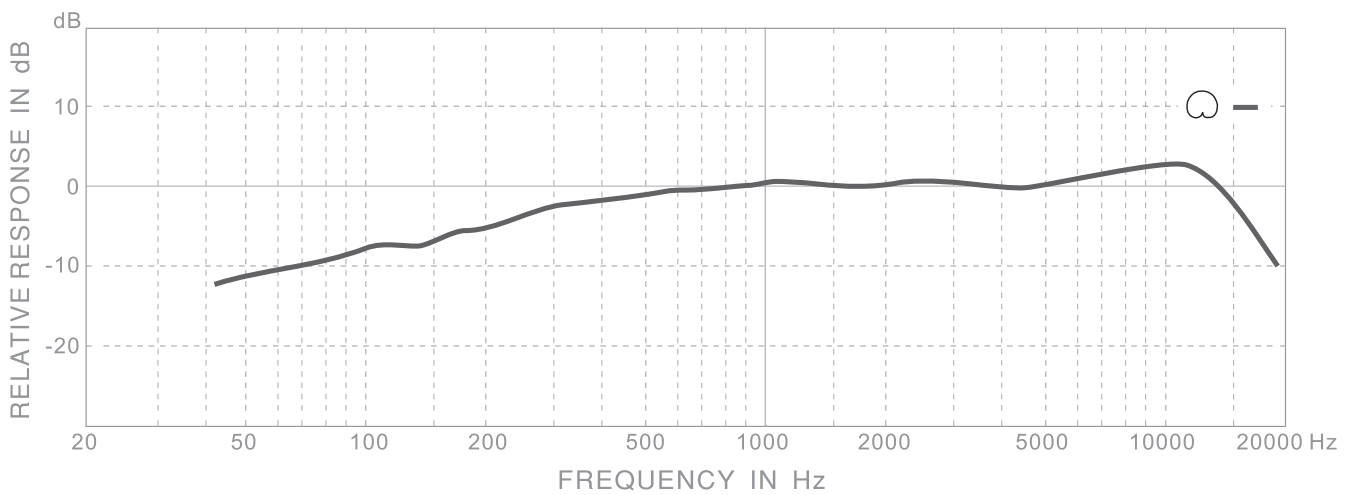
DIMENSIONS



POLAR PATTERNS AND FREQUENCY RESPONSE

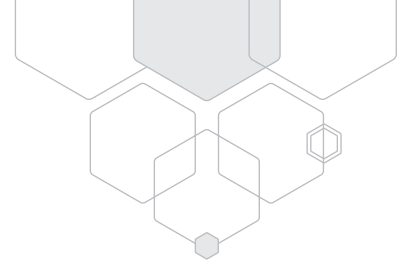


TYPICAL POLAR PATTERNS



TYPICAL FREQUENCY RESPONSE

SPECIFICATIONS



MODEL	IMGC450
TRANSDUCER TYPE	Electret condenser Ø 11.5mm
POLAR PATTERN	Cardioid
FREQUENCY RESPONSE	40Hz – 20Khz
LF FILTER	150Hz, 6 dB/Oct
SENSITIVITY	7.0 mV/Pa -42 dBV
ELECTRICAL IMPEDANCE	200 Ω
MIN. LOAD IMPEDANCE	1000 Ω
S/N RATIO	72dB A-weighted
MAX. SPL	135dB @ 1% THD
PHANTOM POWER V	9 – 52 V DC
CURRENT DRAW	1.9 mA
FINISH	Matte Black
CONNECTION	Balanced 3 pin XLR Male Pin 2 +, Pin 3 -, Pin 1 shield
OPERATING TEMP	-10°C – 50°C 95% humidity max.
DIMENSIONS	450 mm Length
NET WEIGHT	151g
INCLUDED ACCESSORIES	Isolation shock mount, windsock



ENGINEERED BY AUSTRALIAN MONITOR

Address: Unit 1, 2 Daydream Street, Warriewood NSW 2102 Australia

Website: www.australianmonitor.com.au

International enquiries email: international@australianmonitor.com.au

ABN 86 003 231 187