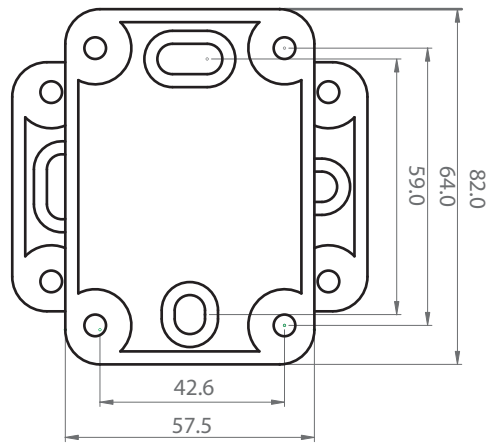
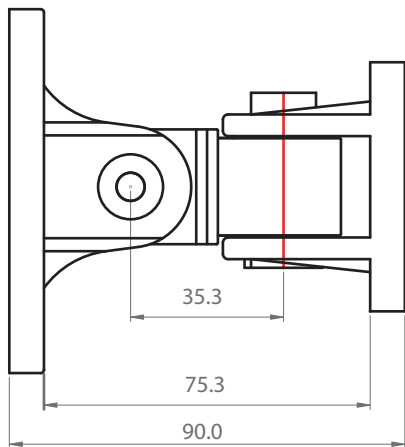




**AUSTRALIAN
MONITOR**
INTEGRATION INTELLIGENCE



Nylon Multi Bracket in Black (RAL 9005)
Nylon Multi Bracket in White (RAL 9016)



Unit: mm

Broken tested up to 45.4 kgs (100 lbs).