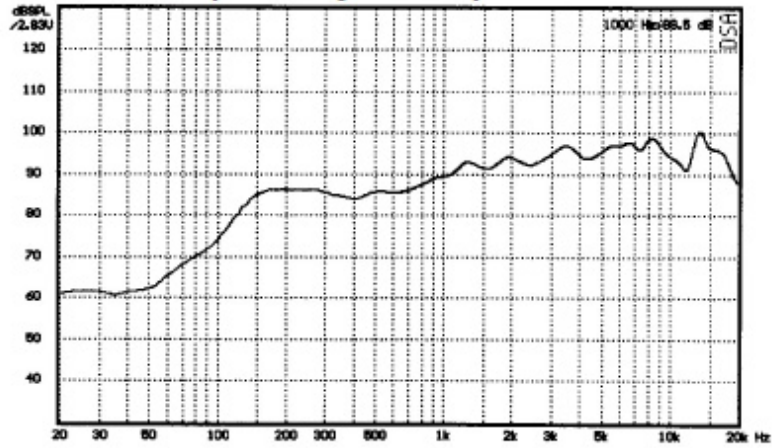
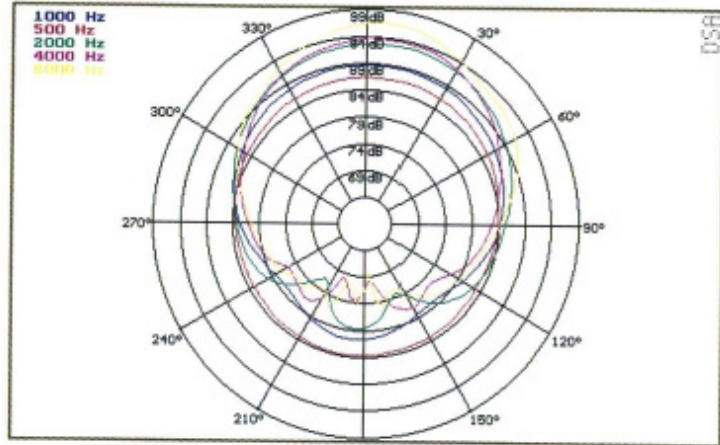


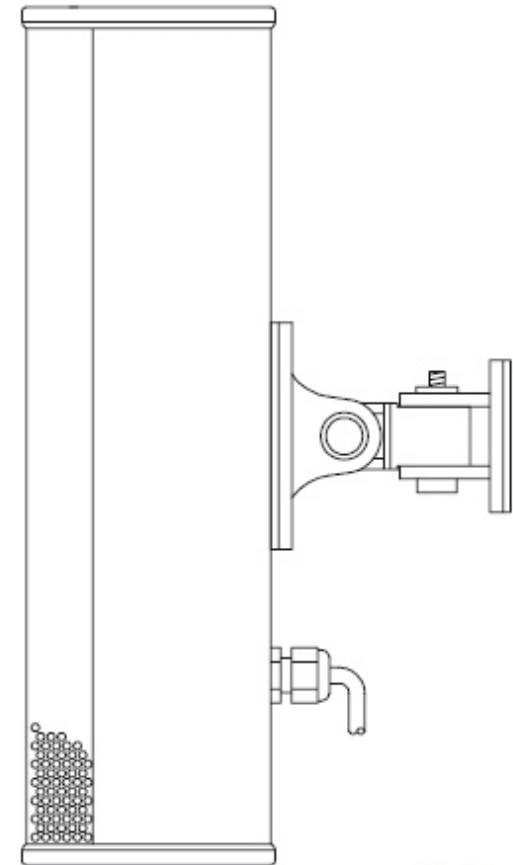
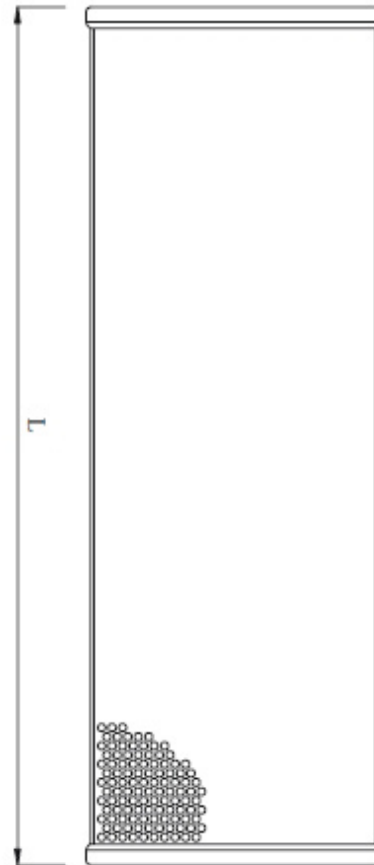
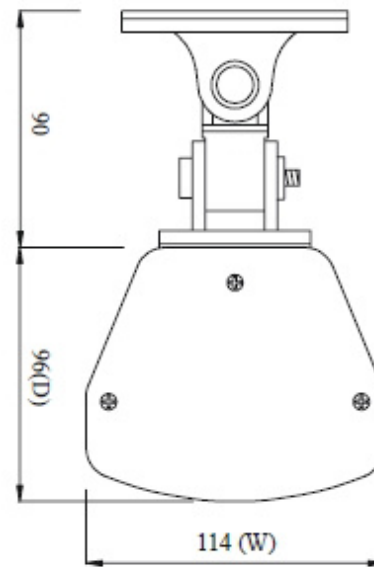
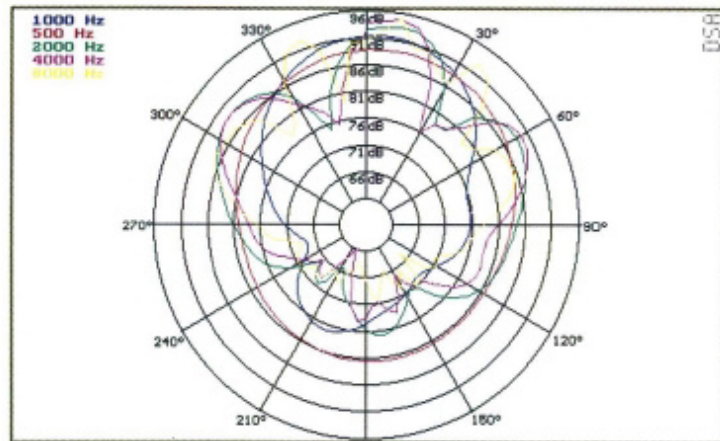
# Frequency Response



## Polar Plot (Horizontal)



## Polar Plot (Vertical)



Unit : mm