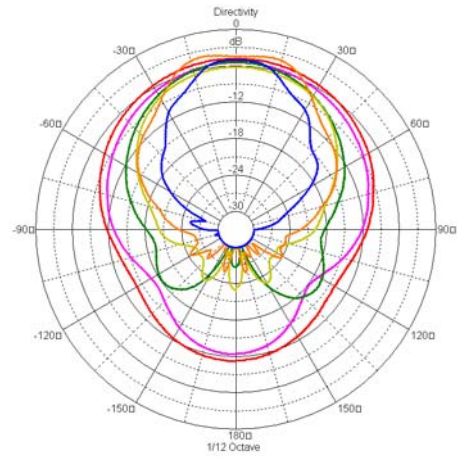
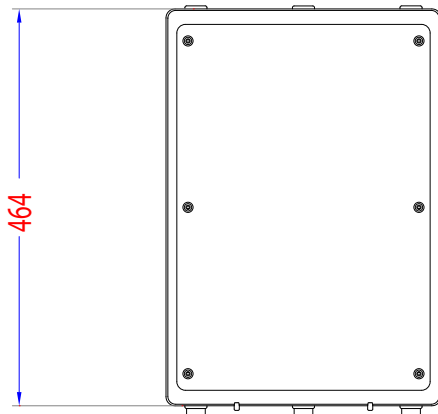
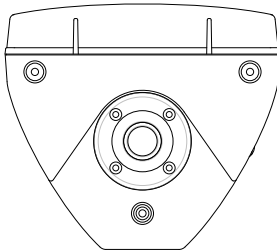
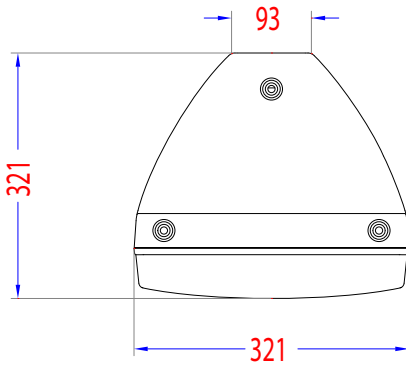
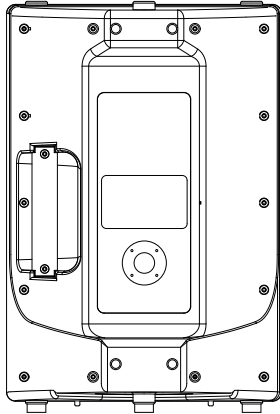


XRS10 Specification Sheet

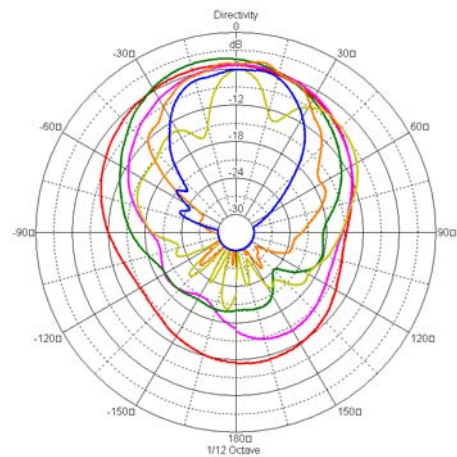
XRS10 two way 1" compression driver & 10" woofer 250 watt speaker system supplied with foldback kit

Dimensions (mm)



Polar Plots – Vertical directivity

Curve	Freq	0dB	-6 dB angle	Q	DI
—	250Hz	-4.8	168.2	2.5	3.9
—	500Hz	-5.5	163.3	2.7	4.4
—	1000Hz	-5.4	110.6	4.1	6.1
—	2000Hz	-6.2	105.3	4.2	6.3
—	4000Hz	-4.5	77.5	5.1	7.0
—	8000Hz	-5.1	64.0	7.5	8.8

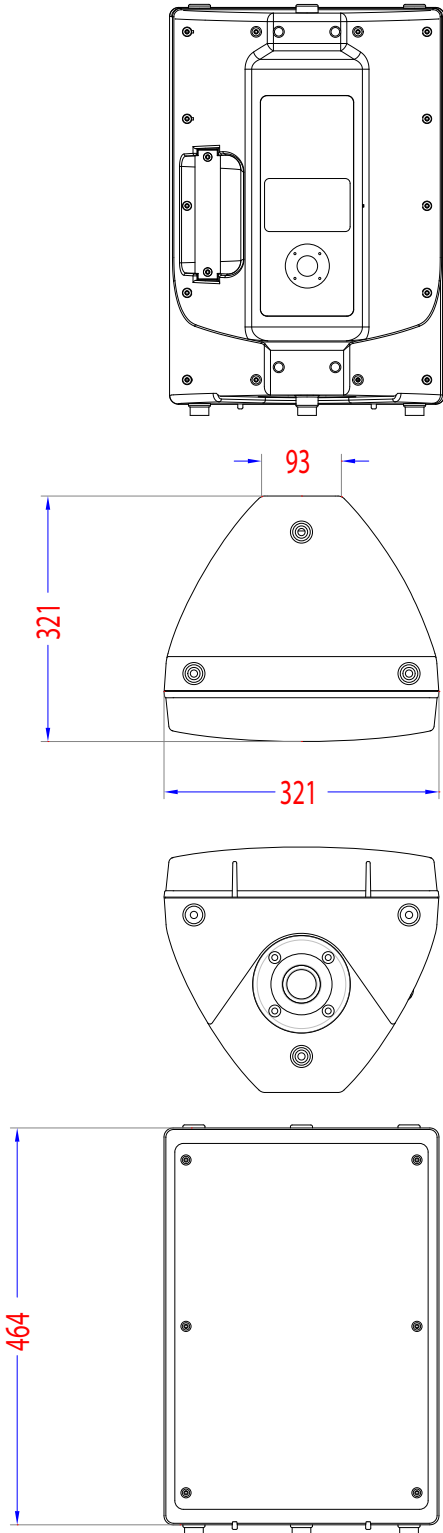


Polar Plots – Horizontal directivity

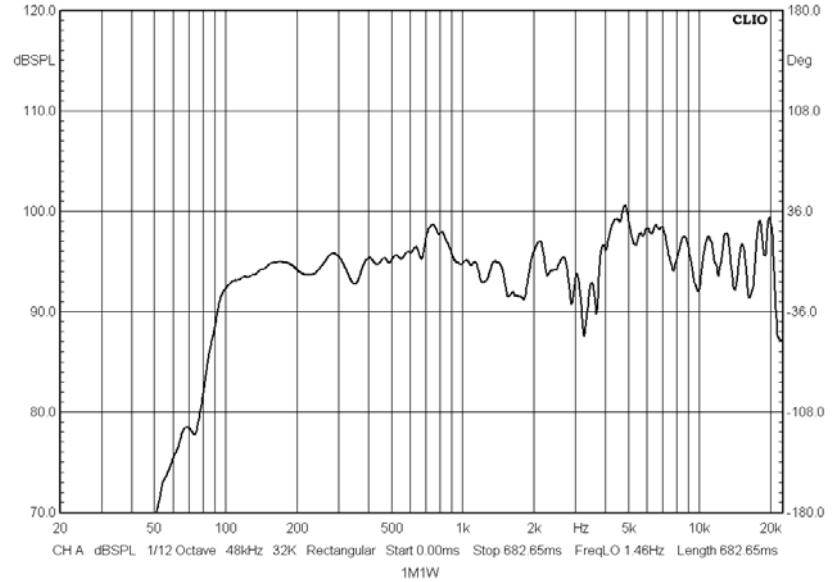
Curve	Freq	0dB	-6 dB angle	Q	DI
—	250Hz	-5.4	147.8	2.6	4.2
—	500Hz	-5.4	116.2	3.7	5.7
—	1000Hz	-4.4	103.5	4.2	6.3
—	2000Hz	-6.2	26.5	5.9	7.7
—	4000Hz	-5.2	79.8	5.7	7.6
—	8000Hz	-6.1	64.2	7.0	8.5

XRS10 Specification Sheet

Dimensions (mm)



Frequency Response Curve



Specifications

Power	250W RMS
Frequency Response	55Hz - 18kHz
Sensativity	(dB 1W 1M) 95dB
Compression Driver Dispersion	90 x 90
Weight	10KG