

VC SERIES

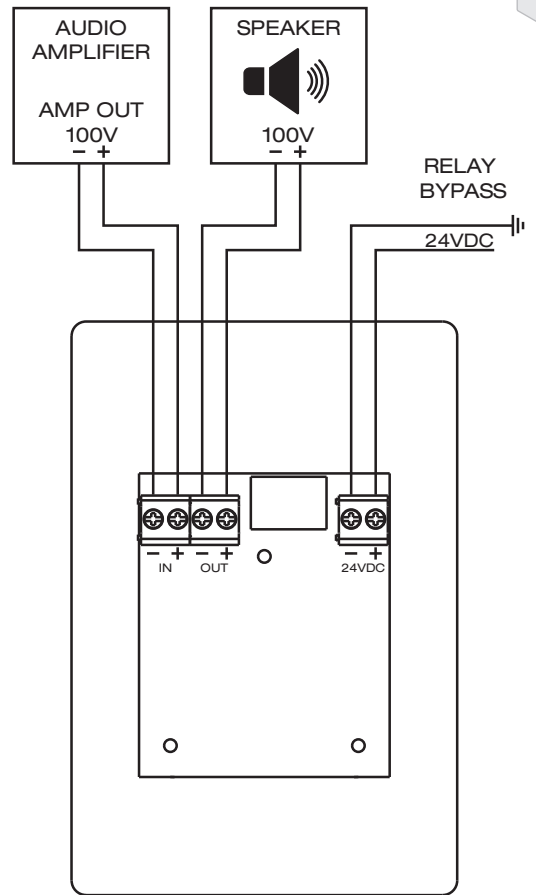
VC10 (10W), **VC25** (25W), **VC50** (50W), **VC100** (100W)

High quality attenuator for 100V line speaker systems, providing 11 stepped level settings.

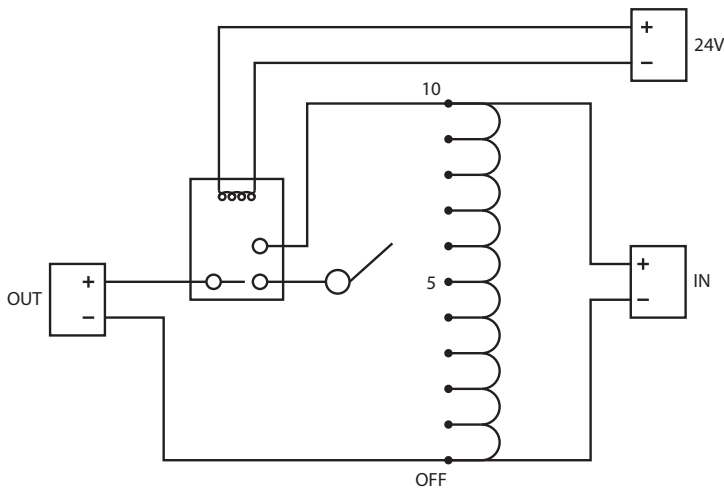
When installing the attenuator, ensure the total speaker load (Watts) does not exceed the attenuator power rating.

The VC includes a relay to bypass the attenuator, typically for evacuation purposes. Apply +/-24VDC to activate the relay to provide maximum output level.

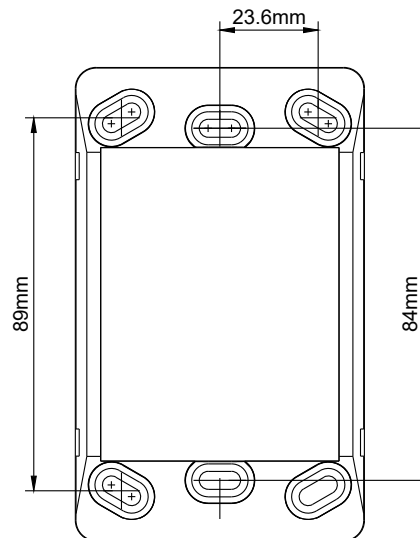
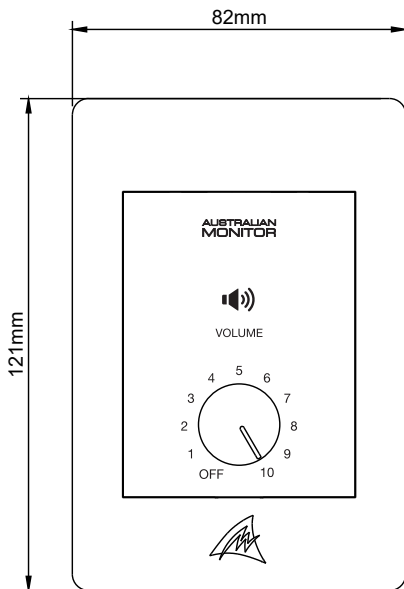
WIRING GUIDE



BLOCK DIAGRAM

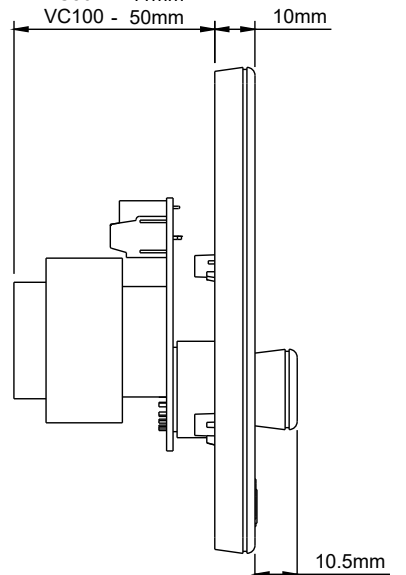


DIMENSIONS



Depth behind plate

- VC10 - 39mm
- VC25 - 39mm
- VC50 - 41mm
- VC100 - 50mm





VC SERIES

VC10, VC25, VC50, VC100

ENGINEERED BY AUSTRALIAN MONITOR

Address: Unit 1, 2 Daydream Street, Warriewood NSW 2102 Australia

Website: www.australianmonitor.com.au

International enquiries email: international@australianmonitor.com.au

ABN 86 003 231 187



VC SERIES

VC10, VC25, VC50, VC100

ENGINEERED BY AUSTRALIAN MONITOR

Address: Unit 1, 2 Daydream Street, Warriewood NSW 2102 Australia

Website: www.australianmonitor.com.au

International enquiries email: international@australianmonitor.com.au

ABN 86 003 231 187