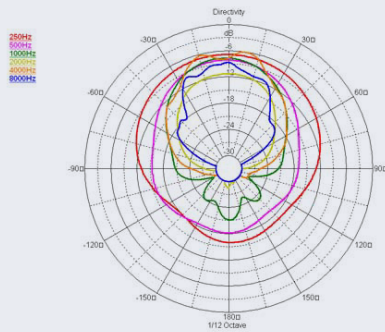


XRS12 SPECIFICATIONS

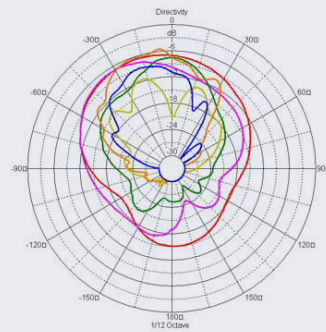
XRS12 two way 2" compression driver and 12" woofer 300 watt speaker system supplied with foldback kit.

POLAR PLOTS – Vertical directivity



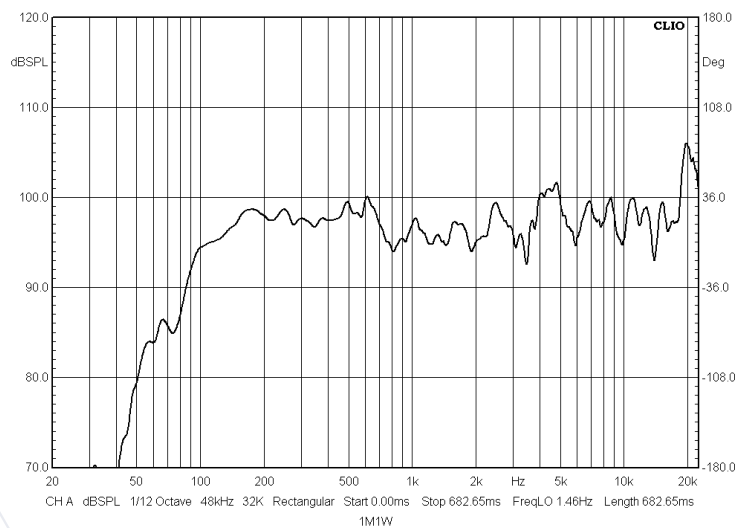
CURVE	FREQ	0dB	-6dB angle	Q	DI
—	250Hz	-6.9	178.1	2.5	4.0
—	500Hz	-8.2	121.5	3.3	5.2
—	1000Hz	-7.7	89.5	4.9	6.9
—	2000Hz	-11.3	91.4	4.8	6.8
—	4000Hz	-7.7	89.8	4.6	6.6
—	8000Hz	-8.7	65.7	7.1	8.5

POLAR PLOTS – Horizontal directivity



CURVE	FREQ	0dB	-6dB angle	Q	DI
—	250Hz	-7.1	148.5	2.8	4.4
—	500Hz	-9.8	180.9	2.0	2.9
—	1000Hz	-7.6	85.6	6.0	7.7
—	2000Hz	-20.8	200.9	0.7	-1.4
—	4000Hz	-7.5	90.9	4.5	6.5
—	8000Hz	-10.9	68.0	4.5	6.5

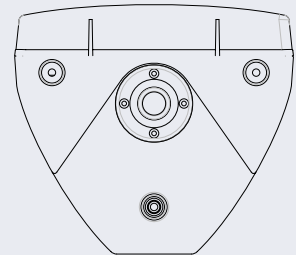
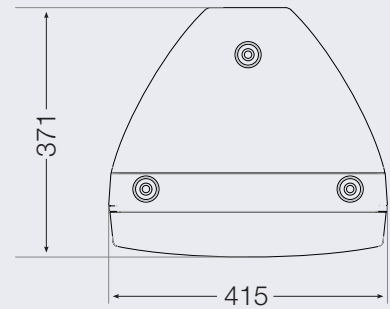
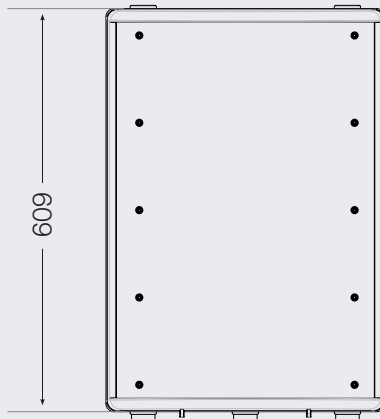
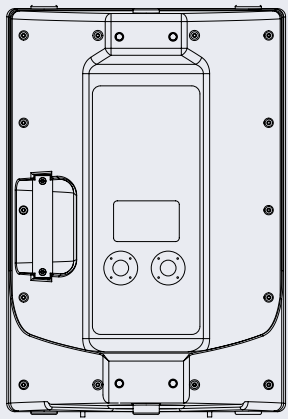
FREQUENCY RESPONSE CURVE





XRS12 SPECIFICATIONS

DIMENSIONS (mm)



SPECIFICATIONS	XRS12
POWER	300W RMS
FREQUENCY RESPONSE	40Hz - 18kHz
SENSITIVITY	97dB (1W / 1Metre)
COMPRESSION DRIVER DISPERSION	90 x 90
WEIGHT	18kg