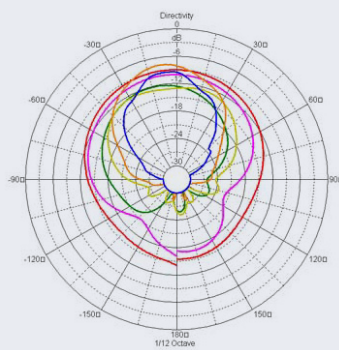


## XRS8P SPECIFICATIONS

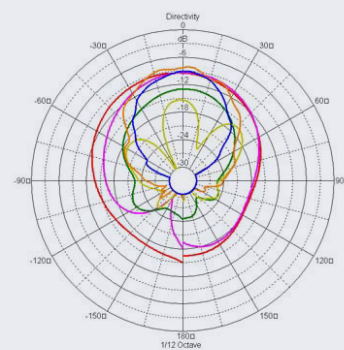
XRS8P two way active 1" compression driver and 8" woofer with biamped on board amplifier 100 watt (low) + 50 watt (high) speaker system supplied with U bracket and foldback kit.

### POLAR PLOTS – Vertical directivity



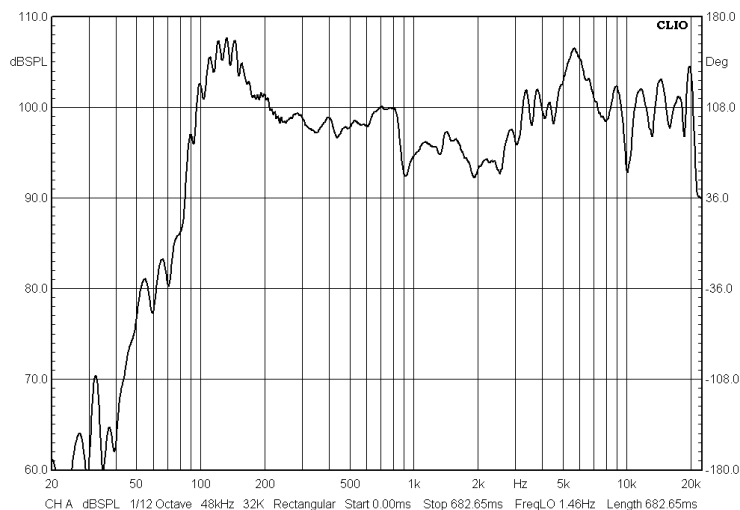
CURVE	FREQ	0dB	-6dB angle	Q	DI
—	250Hz	-9.0	197.9	2.2	3.4
—	500Hz	-10.1	177.4	2.5	3.9
—	1000Hz	-12.6	143.3	3.1	4.9
—	2000Hz	-13	142.7	2.8	4.4
—	4000Hz	-8.2	82.6	5.6	7.5
—	8000Hz	-9.5	70.5	7.1	8.5

### POLAR PLOTS – Horizontal directivity



CURVE	FREQ	0dB	-6dB angle	Q	DI
—	250Hz	-9.5	185.6	2.3	3.7
—	500Hz	-9.4	149.1	3.0	4.8
—	1000Hz	-13.0	120.8	3.6	5.6
—	2000Hz	-15.4	38.1	4.2	6.3
—	4000Hz	-8.3	85.4	5.5	7.4
—	8000Hz	-9.1	68.7	6.9	8.4

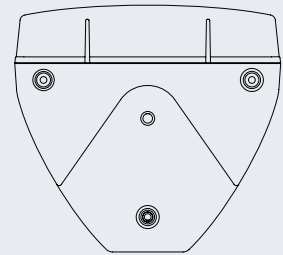
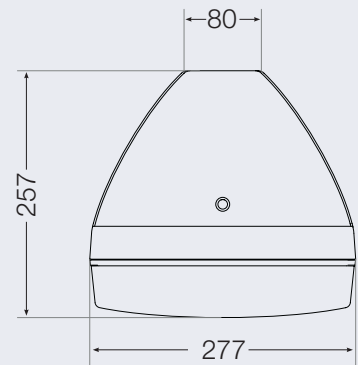
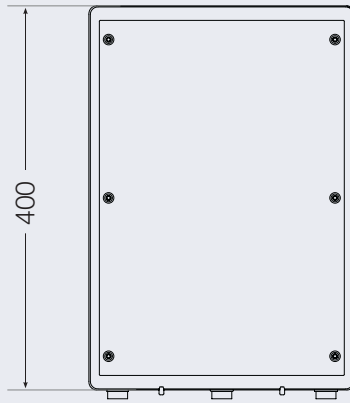
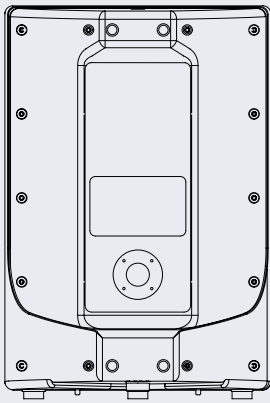
### FREQUENCY RESPONSE CURVE





## XRS8P SPECIFICATIONS

### DIMENSIONS (mm)



SPECIFICATIONS	XRS8P
POWER	100W (Low) + 50W (High)
FREQUENCY RESPONSE	65Hz - 18kHz
COMPRESSION DRIVER DISPERSION	90 x 90
WEIGHT	8.6kg