

EU/UK VC SERIES

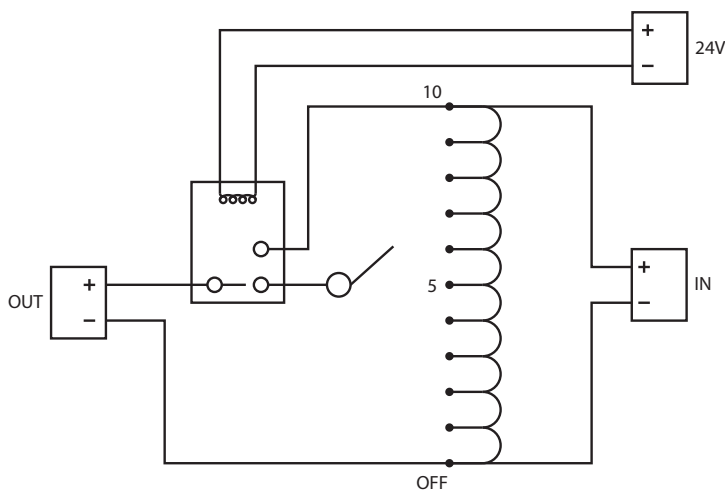
VC10-EU-W (10W), **VC25-EU-W** (25W), **VC50-EU-W** (50W), **VC100-EU-W** (100W)

Transformer volume control for 70/100V line speaker systems in a European / UK form factor, providing ten stepped level settings plus an off position.

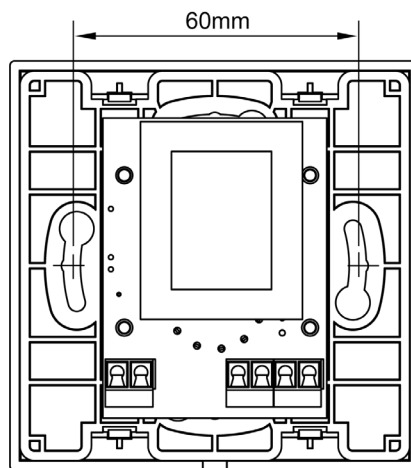
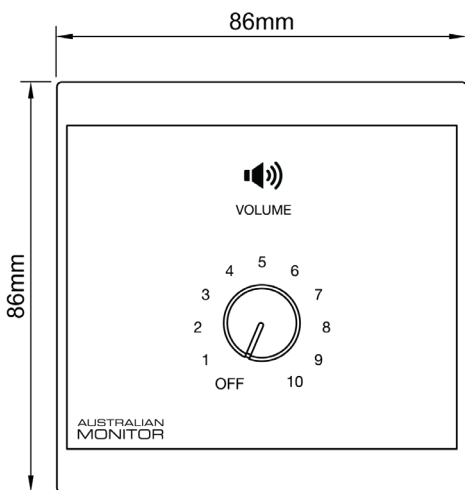
When installing the volume control, ensure the total speaker load (Watts) does not exceed the power rating of the unit.

The EU/UK VC Series includes a relay to bypass the volume control, typically for evacuation purposes. Apply +/- 24VDC to activate the relay and provide maximum output level.

BLOCK DIAGRAM

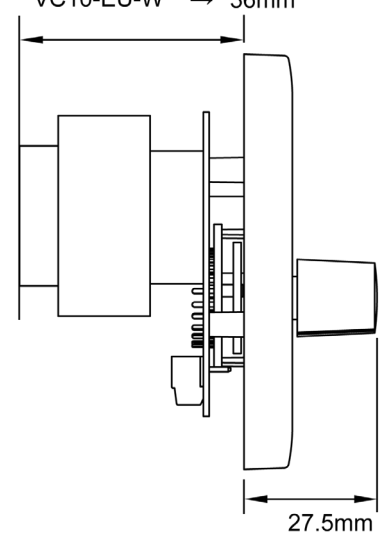


DIMENSIONS

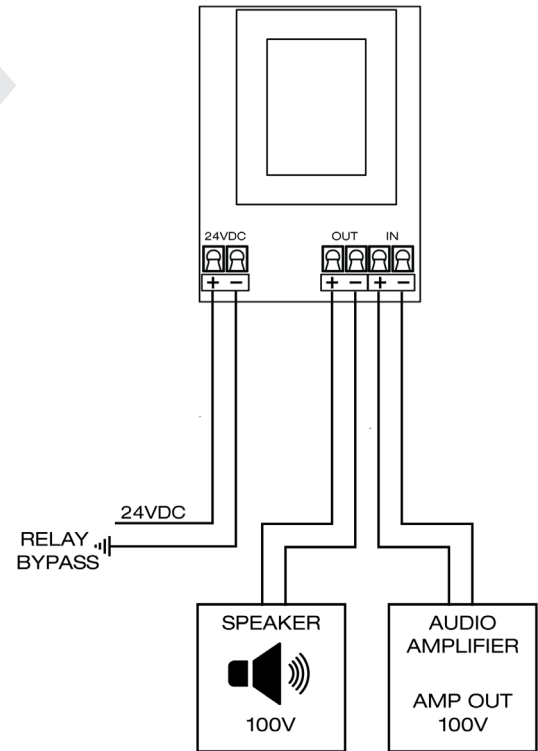


Depth behind the plate

- VC100-EU-W → 46mm
- VC50-EU-W → 39mm
- VC25-EU-W → 36mm
- VC10-EU-W → 36mm



WIRING GUIDE





EU/UK VC SERIES

VC10-EU-W • VC25-EU-W
VC50-EU-W • VC100-EU-W

EU/UK VC SERIES

VC10-EU-W • VC25-EU-W
VC50-EU-W • VC100-EU-W

ENGINEERED BY AUSTRALIAN MONITOR

Address: Unit 1, 2 Daydream Street, Warriewood NSW 2102 Australia

Website: www.australianmonitor.com.au

International enquiries email: international@australianmonitor.com.au

ABN 86 003 231 187

ENGINEERED BY AUSTRALIAN MONITOR

Address: Unit 1, 2 Daydream Street, Warriewood NSW 2102 Australia

Website: www.australianmonitor.com.au

International enquiries email: international@australianmonitor.com.au

ABN 86 003 231 187